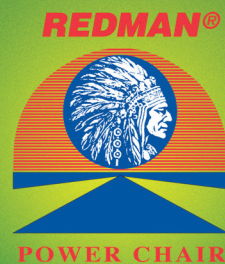


Imagine the Freedom



The 2010
Black Hawk

The 2010 REDMAN *Black Hawk*

Designed for Enduring Performance and Comfort

The Black Hawk is a culmination of twenty years of refinement.

Engineered for performance and comfort, the Black Hawk uses ergonomics that contribute to a healthy, productive lifestyle.

The trim and nimble design allows the 23 inch wide, 39 inch long chair to glide easily through the narrowest doorways and maneuver in tight spaces.

Available option: 9 MPH top speed.



The Standing - Tilt Position

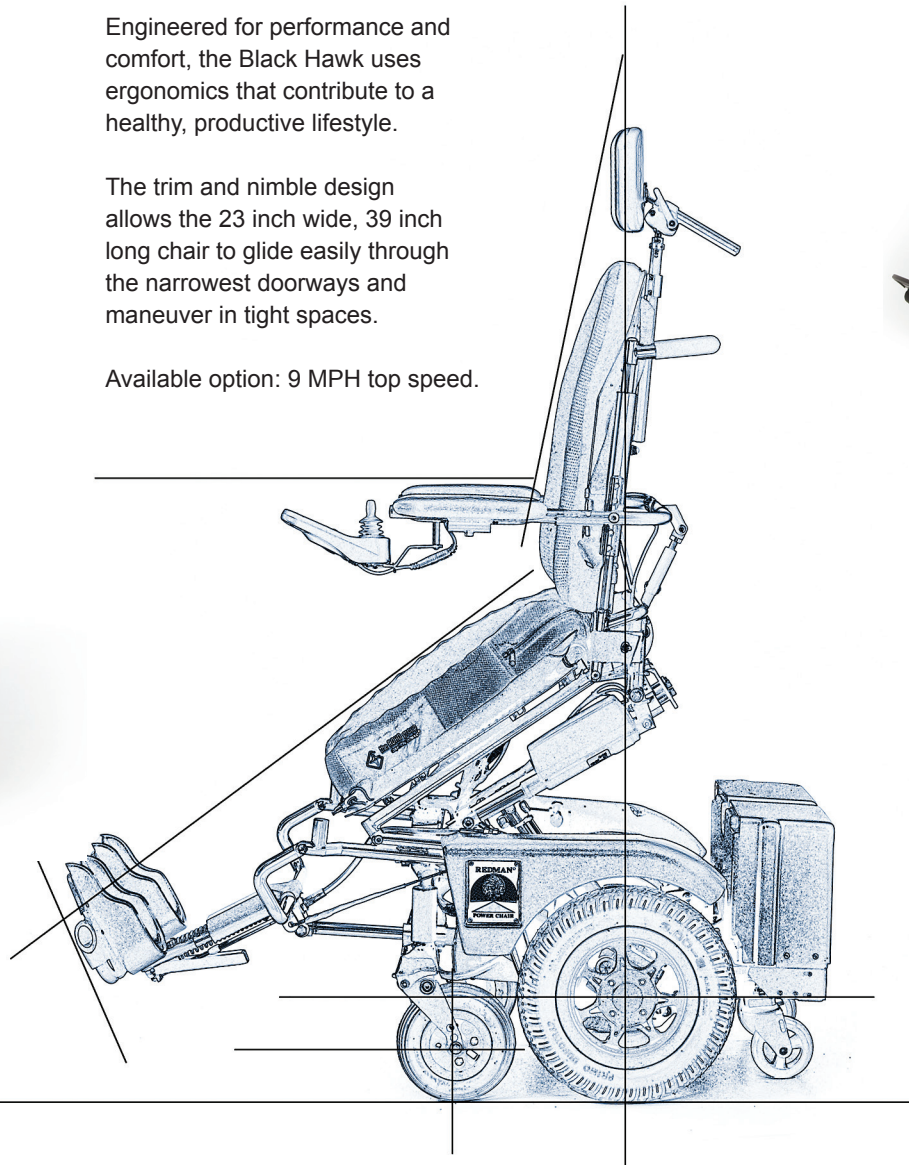
Our system compensates mechanically for body position, so arm rests and positioning devices, such as lateral supports stay with you throughout the spectrum of movement.

Benefits of the Standing-Tilt Position

- Significant sitting pressure reduction.
- Opens the body's mid-section for increased bowel and bladder function.
- Weight bearing design for enhanced muscle-skeletal health.
- Stretches heel cords to minimize foot pronation.
- All day long comfort with psychological benefit of being upright.

18 inch seat height

23 inches wide
4 inches ground clearance



DRIVE TILT STAND™



Recline for “power yoga” stretch, reading, napping or watching TV

The Black Hawk chair adjusts legs and back independently for ideal positioning and maximum comfort. Laboratory tests of **pressure mapping** show surface interface & shear pressure are optimized for comfort.



The new Black Hawk features a high speed standing position

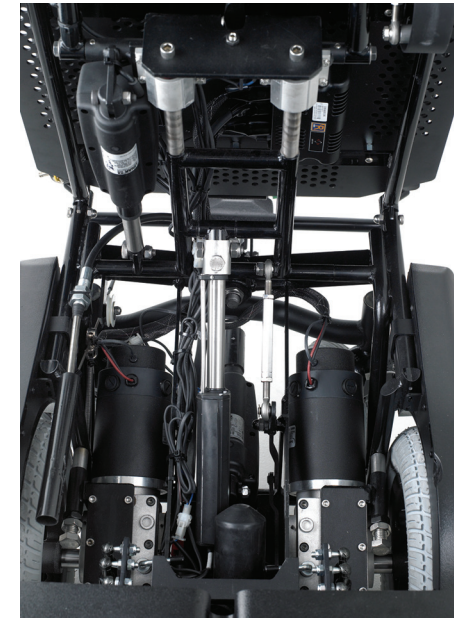
A patented innovation extends the batteries outward as the standing position increases for increased stability and balance. Drive, reach, meet face-to-face in a secure and stable standing position. This is done without the addition of wheels beneath the foot rest, as our design “floats” you.



The Redman Power Chair is Custom Built for You



Your Power Chair order begins with interviews by phone and in person so that we may fully evaluate your needs and custom fitting of the chair. The chair is not pulled from a line of pre-assembled units. We make an evaluation of your weight, height, bodily proportions and special needs before assembly begins. Upon delivery, the 25-point delivery inspection insures an exact fit.



Look "under the hood". This strong, simple design is built for reliability and performance.

Engineering: it's in the Details

Look under our hood.

The framework and assembly is an intrinsic system. That means that there are no added-on components as with other power chair builders. Our engineers have designed every element of the chair to be essential for optimum performance. As with any expertly engineered object – a fine automobile or exquisite musical instrument – years of research, testing

and incremental corrections add up to perfection. The Redman power chair achieves this kind of perfection with 20 years of construction and refinements to one chair. Schedule an appointment and look at the attention to details. When you make your first test drive, you will find the chair to be a natural extension of yourself.



Bullfrog front suspension with uneven ground compensation.



Shown with the near arm-rest swung upward and the knee bolsters swung away for easy access.



Adjustable independent elastomer rear suspension.

The New Black Hawk gives you MORE value ...

Our factory-to-you approach means attention to detail. Our 25-point delivery inspection with guaranteed fit, one year parts and labor warranty and 24 hour hot-line for customer service.



...and LESS obtrusive framework

Our intrinsic approach to frame design allows us the smallest footprint in the business and that means a lot. You see a lot less chair and a lot more you.

Less seat height means getting under tables and seeing out of the horizon of your vehicle.

Seat height as low as 16 inches (optional).



A Commitment to Quality, Innovation and Service

The Redman chair is manufactured at our own facility, with a design that accommodates periodically updated technology and retrofits. Redman allows maximum trade for long-term value. Compared with other manufacturers, our warranty is the best in the business. Fit and function are guaranteed; we work with you to overcome “new chair” trauma.

A Long History

Redman is a pioneer of the standing power chair and has been building its 107 series for over 20 years.

Our dedication to one product, direct feedback from customers and advanced engineering has resulted in unprecedented performance from our new 2010 Black Hawk.



The first Chief introduced in 1990



The 2010 Black Hawk Edition



One of our National fleet of service vehicles

The 2010 REDMAN *Black Hawk*



www.RedmanPowerChair.com

Redman Power Chair • 1674 S. Research Loop #402 • Tucson, AZ 85710 • 800.727.6684