

OWNER'S MANUAL

US

# *Permobil K/C300*

Power Wheelchair





# How to contact Permobil

## **Permobil Inc. USA**

300 Duke Drive  
Lebanon, TN 37090  
USA

Phone: 800-736-0925

Fax: 800-231-3256

Email: [info@permobilusa.com](mailto:info@permobilusa.com)

## **Head Office of the Permobil group**

### **Permobil AB**

Box 120  
861 23 Timrå  
Sweden

Tel: +46 60 59 59 00

Fax: +46 60 57 52 50

E-mail: [info@permobil.se](mailto:info@permobil.se)

# **Permobil K/C300**

Power Wheelchair

<b>Important information about user manual</b> .....	<b>6</b>
Technical support .....	7
Spare parts and accessories .....	7
Disposal .....	7
Warranty and service.....	7
Product approval.....	7
<b>Safety instructions</b> .....	<b>8-23</b>
Design & function .....	24
General - overview .....	24
Driving - shock absorbers.....	25
Wheels.....	26
Lights - reflectors.....	26
Batteries - charging socket.....	27
VR2 control panel - overview and functions .....	28
R-Net control panel LCD monochrome display - design and function .....	36
R-Net control panel LCD color display - design and function .....	44
R-Net control panel LED - design and function .....	54
Operation.....	61
General - driving.....	62
Driving technique.....	65
Seat functions.....	68
Driving rules .....	74
Support wheels.....	74
Obstacles.....	75
Downhill .....	76
Uphill.....	77
Side slopes .....	78
Releasing the brakes .....	79
Charging batteries .....	80
Transport.....	82
Air transport.....	84
Maintenance and repairs.....	86
Toolbag.....	86
General - batteries, storage.....	87
Care and maintenance .....	88
Brake release and wheels.....	89
Replacing the front battery .....	90
Replacing the rear battery.....	91
Accessories .....	92
Technical specifications .....	93
Data - electrical system .....	93
Troubleshooting.....	94-100
Important Information about Electromagnetic Interference (EMI).....	101-102

## Important Information about this Owner's Manual

We congratulate you on your choice of power wheelchair. Our goal is for you to continue to feel satisfied with your choice of both vendor and wheelchair.

Before you begin using your wheelchair, it is important that you read and understand the content of these operating instructions and in particular the Safety Instructions.

These operating instructions are primarily intended to acquaint you with the functions and characteristics of the wheelchair and how you can use them in the best manner possible. They also contain important safety and maintenance information, as well as describing possible problems that can arise while driving the wheelchair.

Always keep these operating instructions handy in connection with your wheelchair, since the need for important information can arise concerning its use, safety and maintenance.

It is also possible to obtain information concerning our products from our home page on the Internet. You can find us at [www.permobil.com](http://www.permobil.com).

All information, pictures, illustrations and specifications are based upon the product information that was available at the time that these operating instructions were printed. Pictures and illustrations that are found in these operating instructions are representative examples and not intended to be exact depictions of the various parts of the wheelchair.

We reserve the right to make changes to the product without prior notice.

### Ordering of Documentation

Service Manual can be ordered from Permobil, ask for item No. 205221-US-0.

Spare Part Catalog can be ordered from Permobil, ask for item No. 201245-US-0.

If you are in need of another copy of the Owner's Manual, it can be ordered from Permobil, ask for item No. 205220-US-0.

## **TECHNICAL SUPPORT**

In the event of technical problems, you should contact your dealer or Permobil Inc USA at 1-800-736-0925.

Always state the chassis serial number when contacting Permobil to ensure that the correct information is provided.

## **SPARE PARTS & ACCESORIES**

Spare parts and accessories must be ordered through your dealer.

## **SCRAPPING THE WHEELCHAIR**

Contact Permobil Inc. for information about scrapping agreements in force.

## **WARRANTY**

A warranty registration card is attached to each new wheelchair. The Permobil Inc. Product Warranty Information sets forth the conditions of the warranty.

Contact your dealer or Permobil Inc USA for information about the warranty period for this wheelchair.

## Safety Instructions - General

A powered wheelchair is a motorized vehicle and special care must therefore be taken when it is used. Please read and follow all instructions and warnings in this manual before operating your Permobil powered wheelchair. Incorrect use may both injure the user and damage the chair. In order to reduce these risks, you should read the Owner's Manual carefully, in particular the safety instructions and their warning texts.

Throughout this manual the following symbol will be used to note items that have significant importance to safety concerns:

### CAUTION

Please use caution where this symbol appears.

### WARNING

Please use extreme caution where this warning symbol appears. Failure to observe warnings can lead to personal injury and property damage, including damage to the wheelchair.

*Permobil is not responsible for personal injuries or property damage resulting from any person's failure to follow the warnings and instructions in this manual. Permobil is not responsible for injuries or damage resulting from failure to exercise good judgment.*

The final selection and purchasing decision about the type of powered wheelchair to be used is the responsibility of the wheelchair user and his or her health-care professional. Permobil Inc. is not responsible for inappropriate selections of wheelchair models or features or improper fitting of the wheelchair.



## Safety Instructions - General

Your wheelchair was configured specifically for your needs as prescribed by your healthcare provider. Consult your healthcare provider before changing the seat position or making any other adjustment. Some adjustments may reduce your wheelchair's performance or safety or may not be appropriate for your needs.

It is also of the utmost importance that you devote sufficient time to become acquainted with the different buttons, the function and steering controls, the different adjustment possibilities of the seat, etc. of your wheelchair and its accessories before you begin using it.

*Do not undertake your own first test drive without making sure that you have assistance in the immediate vicinity if you should need help.*

In order to make sure that nothing happened to the wheelchair while it was being shipped to you, you should check the following items before beginning to use it:

- that all products ordered are included in the delivery, including operating instructions and possible other documentation. If you suspect that something is missing, then contact your supplier or Permobil for more information as soon as possible.
- that no transport-related or other damages have occurred to the wheelchair and its accessories. If you discover that something has been damaged or in some other manner appears to be incorrect, then contact your supplier or Permobil for more information as soon as possible before you continue the checks.

We recommend that you charge your wheelchair's batteries before you begin using it. The chapter titled "Charging the Batteries" describes how to do this.

Always be sure that tires are inflated properly before driving.

*If you experience that the wheelchair in any manner is not behaving as expected or if you suspect that something is wrong: abort the test drive as soon as possible, shut off the wheelchair and get in touch with your service contact or Permobil for more information.*

## Safety Instructions



### WARNING

#### Operation

Permobil recommends the use of wheelchair lights at all times user is riding near public rights of way. Use extreme caution when driving near unprotected ledges, drop-offs or on elevated surfaces. Unintended movement or excessive speed in these areas can lead to personal injury or property damage.

Do not drive the wheelchair over any curbs or edges higher than 2.75 inches. When driving over a curb or similarly elevated surface, you must cross the surface at a 90 degree angle (perpendicular). Crossing such surfaces at any other angle may result in the wheelchair tipping.

Reduce your speed when driving on uneven terrain or soft surfaces. Do not use your wheelchair on stairs or escalators. Always use an elevator.

Do not lift or move the wheelchair by any of its removable parts. Doing so could lead to personal injury and property damage, including damage to the wheelchair.



### CAUTION

#### Operation

Do not let children drive the wheelchair without supervision. Do not drive the wheelchair on public streets or roadways. Obey all local pedestrian rules and be aware that vehicle drivers may have difficulty seeing you.

Do not operate your wheelchair under the influence of alcohol. Consumption of alcohol may impair your ability to operate your wheelchair safely.

Some physical limitations or use of medication, either prescribed or over-the-counter, may limit your ability to operate your wheelchair safely. Be sure to consult with your physician about your physical limitations and medications.

## Safety Instructions



### WARNING

#### Modifications

Any unauthorized modifications to the wheelchair or its various systems may increase the risk of personal injury and property damage, including damage to the wheelchair.

All modifications to and interventions in the vital systems of the wheelchair must be performed by a qualified service technician authorized by Permobil to perform such service on Permobil products.

#### Weight Limitations

The maximum user weight for your Permobil is set forth in the specification section of the supplied Owner's Manual for current seat model. Operation of the wheelchair by users who exceed the maximum allowable user weight can lead to personal injury and property damage, including damage to the wheelchair, as well as voiding any applicable warranty to the wheelchair.

Do not carry passengers on the wheelchair. Doing so can lead to personal injury and property damage, including damage to the wheelchair.

#### Positioning Belts

Always wear your positioning belt while in your wheelchair. If signs of damage or wear appear, replace the positioning belt immediately through your Permobil dealer.



### CAUTION

#### Prior to Riding

In some instances, including where certain medical conditions exist, users should practice operating their wheelchair under the supervision of an assistant who is familiar with the operation of the wheelchair and with the abilities and limitations of the user.

## Safety Instructions



### CAUTION

#### **Operation - Inclines**

When driving downhill, select the slowest speed and proceed with caution. Driving down an incline in a front wheel drive wheelchair can shift the user's center of gravity forward. If the wheelchair rolls faster than you would like, stop the wheelchair by releasing the joystick and begin descending again at a slower speed.

Avoid sudden stops or starts. Stop by releasing joystick rather than by turning the power off. Turning off power while the wheelchair is in motion will cause the wheelchair to stop suddenly.

When driving up an incline, try to keep moving at a steady speed. Stopping and starting the chair while moving up an incline makes the wheelchair more difficult to control.

Do not drive up or down slopes with a gradient greater than indicated in the technical specifications section of the manual. There is a risk that the wheelchair will not maneuver safely.

## Safety Instructions



### WARNING

#### **Operation - Inclines**

Do not drive the wheelchair where the sideways gradient is more than indicated in the technical specifications section of the manual. There is a risk of tipping over.

Do not drive up or down ramps that are not equipped with proper edge protection along the sides of the ramp to prevent the wheelchair from falling off of the ramp.

When driving up an incline, be sure to drive your wheelchair straight up the incline (perpendicular). Driving at an angle up an incline increases the risk of tipping or falling. Use extreme caution when driving up an incline.

Do not drive down or up a hazardous incline, such as a surface covered with snow, ice, or wet leaves or a surface that is uneven. Also avoid driving on ramps that do not have proper edge protection.

## Safety Instructions



### WARNING

#### **Operation - Turning**

Turning your wheelchair at high speeds can create the possibility of the wheelchair tipping and personal injury. The possibility of tipping can be increased by high turning speed, sharp turns, uneven surfaces, abrupt changes in direction, and driving from an area of low traction (e.g. lawn) to an area of high traction (e.g. sidewalk).

To protect against tipping, personal injury and property damage, reduce speed and reduce the sharpness of your turn when turning.

#### **Operation - Freewheel Mode**

In order to prevent the wheelchair from rolling away, ensure that the wheelchair is on a level and dry surface before releasing the brakes.

In order to avoid personal injury do not use your Permobil in freewheel mode without an attendant present. Do not attempt to put the wheelchair in freewheel mode by yourself while seated in it.

Do not put your Permobil in freewheel mode while on an incline. This could cause the wheelchair to roll on its own, causing injury and property damage, including damage to the wheelchair.

## Safety Instructions



### CAUTION

#### **Driving on a Loose or Soft Surface**

When the wheelchair is set to its lowest speed and the batteries are not fully charged, driving on certain surfaces, for example gravel, sand or thick carpeting, can involve constrained navigability.

#### **Driving in Darkness**

Driving in the dark may only be done if your wheelchair is equipped with functioning lighting in the front and the back, or as per the applicable national or local traffic regulations.

#### **Driving in Extreme Climate Conditions**

Permobil's wheelchairs are designed to withstand most adverse weather conditions, however to minimize the risk of being caught in difficult situations you should avoid using the wheelchair outdoors during, for example, severe cold, heavy rain or thick snow.

Also bear in mind that certain surfaces on the wheelchair can be heated up or cooled down in the event of prolonged exposure to intense sunlight or cold respectively.

## Safety Instructions



### WARNING

#### **Driving with Seat Lift/Seat Tilt/Backrest Recline**

Be careful in making sure that nothing gets stuck between the chassis and the seat when the seat lift/seat tilt is operated. Operating the seat lift, seat tilt/ backrest recline changes the center of gravity and increases the risk of tipping over. Always drive in low speed and only use those seat functions on level ground, and not on hills, ramps, slopes or other inclines. Using those seat functions while driving on inclines can lead to personal injury and property damage, including damage to the wheelchair.

#### **Center of Balance**

The possibility of this wheelchair tipping and the point where this wheelchair will tip forward, back or to the side depends on its center of balance. Please note that the following factors can affect the wheelchair's center of balance:

- Elevation of the seat
- Height and angle of the seat
- Body position or weight distribution
- Driving on an incline such as a ramp or a hill
- Use of a backpack or other accessories, depending on the amount of weight added.

If your wheelchair begins to move in an unexpected manner, immediately release the joystick to stop the wheelchair. Except in an emergency, do NOT use the on/off button to stop your wheelchair, as this will cause the wheelchair to stop abruptly and may cause personal injury.

#### **Fixed seat post**

Adjusting the seat height may only be performed by an authorized service provider. See the service manual for more information.



## Safety Instructions



### WARNING

#### Support Wheels

If your wheelchair is equipped with support wheels, they must always be mounted when the wheelchair is being driven.

#### Transfer into and out of the chair

Be sure that the power is turned OFF before entering or leaving the wheelchair and before lifting the control side armrest.

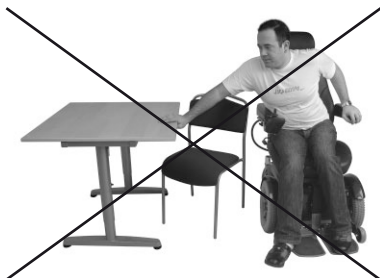
When transferring into or out of the wheelchair, every precaution should be taken to reduce the distance between the wheelchair and the place to which the user is transferring. Overextending this distance can cause user to over-exert, lose balance, or fall.

Permobil recommends that users transfer in the presence of or with the assistance of an attendant.

Use caution when bending or reaching.

Never use the joystick as a handhold or point of support.

Do not use foot plates or armrests as supports when transferring into or out of the wheelchair. The footplates and armrests are not designed to be weight-bearing structures. Excessive force may cause them to give way, resulting in personal injury or property damage, including damage to the wheelchair.



## Safety Instructions



### WARNING

#### Passengers

The wheelchair is not intended to transport passengers, regardless of the age of the passenger. The Maximum User Weight stated in the Owner's Manual for your seating includes the user and any personal effects. The Maximum limit should not be exceeded. The wheelchair's maneuverability and stability can be degraded as a result.

#### Environmental Conditions

Protect your wheelchair from exposure to any type of moisture, including rain, snow, or wash. Exposure to moisture can cause the chair to short-circuit, catch fire and cause personal injury or property damage. Do not operate your wheelchair if it has been exposed to moisture until it has dried completely.

If any of the shrouds or the joystick boot has cracks or tears, they must be replaced immediately. Failure to do so can allow moisture to enter the electronics and cause personal injury or property damage, including fire.

Do not operate your wheelchair in icy or slippery conditions. These conditions can lower the performance and safety of your wheelchair which could lead to an accident, personal injury and property damage, including damage to the wheelchair.

**NOTE:** *Extreme care should be exercised when using oxygen in close proximity to electric circuits and other combustible materials. Contact your oxygen supplier for instruction in use of oxygen.*

## Safety Instructions



### WARNING

#### **Transport**

The wheelchair must be transported in or with transport solutions that have been approved for this purpose.

Check that the wheelchair is properly secured and that the wheel locks are not disengaged. The wheelchair can be locked into position by running fastening straps through the brackets at the front and back. Also check that the fastening points on the transport vehicle are well-anchored.

A defectively fastened chair can cause serious injury to persons in the vehicle and serious damage to the vehicle.

#### **Use Prohibited in Motor Vehicles**

Permobil recommends that users NOT be transported in any kind of vehicle while in their wheelchair, unless the user is in an approved Permobil wheelchair configuration, has secured the wheelchair using a Permolock C3, and is using a seatbelt attached to the vehicle. The only other safe alternative is that users be transferred into factory vehicle seating for transportation and use safety restraints made available by the auto industry. The only wheelchair transportation system Permobil recommends is a Permolock C3 used in combination with an approved Permobil wheelchair.

Unless using a Permolock C3 with an approved Permobil wheelchair, never sit in your wheelchair while in a moving vehicle. In an accident or sudden stop, you may be thrown from the chair and seriously injured or killed.

Permobil positioning belts are designed to position the user only and not to protect you in the event of a motor vehicle accident. The positioning belts do not replace use of a vehicle mounted restraint.

## Safety Instructions



### WARNING

#### **Maintenance and Service**

Carry out only the service and maintenance which are stated in the Owner's Manual. All other service and maintenance must be performed by a qualified service technician authorized by Permobil to perform such service on Permobil products

During all work on the electrical system of the wheelchair, the connection to the poles of the battery must always be removed. To avoid the risk of electric shock, use extreme caution when using metal objects while working on the batteries. Short-circuiting can easily cause an explosion. Never perform service on the wheelchair without using protective gloves and goggles. Failure to do so can lead to personal injury.

Do not use parts or accessories not authorized by Permobil. Use of unapproved "aftermarket" accessories and parts may cause changes in the wheelchair, which may make the wheelchair unstable or uncontrollable. Such use may also void the warranty on the wheelchair.

Connecting any unapproved electrical or electronic devices to the wheelchair's electrical system can cause damage to the chair and caused the chair to become uncontrollable or drive erratically. Such use may also void the warranty.

The wheelchair is heavy and contains many moving parts, which means that the risk of being caught between them is always present.

#### **Charging of Batteries**

Charging must be done in a well-ventilated room, not in a wardrobe or closet. Charging must not be done in a bathroom or wet room. Only chargers with a max 10 A charging current (average value) may be used (the RMS value of the charging current must not exceed 12A). When the charger is connected, the chair must not and cannot be driven.

## Safety Instructions



### WARNING

#### **Safety Circuits**

Permobil products are equipped with safety circuits. Inhibit circuits prevent the wheelchair from driving under certain conditions. Speed reduction circuits limit the wheelchair's maximum speed under certain conditions. Limit switch circuits limit the wheelchair's functions under certain circumstances. Overload protection circuits shut the wheelchair off in case of an overload. The user should stop using the wheelchair immediately and consult an authorized Permobil distributor if any of these circuits should become disabled.

Any attempt to modify the safety circuits will result in unsafe operation of the wheelchair and could cause the chair to become unstable or uncontrollable. Such modifications may also void the wheelchair's warranty.

#### **Changing Batteries and Fuses**

Switch the wheelchair OFF with the ON/OFF button on the control panel, before changing the Main Fuse or replacing the batteries.

Observe care in the use of metallic objects when working with batteries. A short-circuit can easily cause an explosion. Always use protective gloves and protective eye-glasses.

#### **Filling Air into tires**

Check at regular intervals that the wheelchair's tires have the prescribed tire pressure. Incorrect tire pressure can cause deteriorating stability and maneuverability.

The prescribed tire pressure is 29 psi (200 kPa).

Note that overfilling causes a risk of explosion.

## Safety Instructions



### WARNING

#### **Changing Tires**

Avoid the use of sharp-edged tools when working with tires.

#### **Storage**

The wheelchair and its accessories must always be shut off when they are not being used. Always store the wheelchair so that access for unauthorized individuals is avoided.

Never store the wheelchair in a room in which condensation can arise (mist or dampness on the surfaces) e.g. in pool areas, laundry rooms, or similar rooms.

If you are unsure as to how your wheelchair and its accessories should be properly stored, contact your supplier or Permobil for more information.

#### **Damages/malfunctions on the wheelchair and its accessories**

If you experience that the wheelchair in any manner is not behaving as expected or if you suspect that something is wrong: Stop driving as soon as possible, shut off the wheelchair and contact your service contact or Permobil for more information.

It's also of greatest importance that Permobil be informed if the wheelchair and its accessories have been subjected to transport damages, damages during driving or damages due to another cause as soon as possible after the event. There exists a risk that the wheelchair and its accessories can no longer be used in a safe and secure manner.

## Safety Instructions



### CAUTION

#### **Recycling of Batteries**

Used or broken drive batteries should be taken care of in an environmentally correct manner in accordance with locally applicable recycling directions.

#### **EMC Requirements**

The electronics of an power wheelchair can be affected by external electromagnetic fields (for example from mobile telephones). Similarly, the electronics of the wheelchair itself can also emit electromagnetic fields that can affect the immediate surroundings (for example certain alarm systems in businesses).

The limit values for Electromagnetic Compatibility (EMC) with respect to power wheelchairs is set in the harmonized standards for the EU in the Medical Devices Directive, No. 93/42/EEC.

Permobil's electronic wheelchair's comply with these limit values.

Also see Important Information about **Electromagnetic Interference (EMI)** on page 101-102.

## Design & Function

### General

The Permobil K/C300 is an electric wheelchair for outdoor and indoor driving. It is intended for people with physical disabilities.

The wheelchair consists of a chassis and a seat. The chassis contains the wheelchair's electronics, power supply and drive functions. The seat consists of a seat frame, seat plate/back rest, arm rest/leg rest and any accessories/options such as a head rest, calf rest, chest support, etc. The Permobil C300 can be combined with different seat models, which are supplied with a separate user manual.

In this user manual, we have chosen to show the wheelchair with our CS seat. However, the operation of the chassis and most of its functions are the same regardless of the seat model chosen.

### Overview

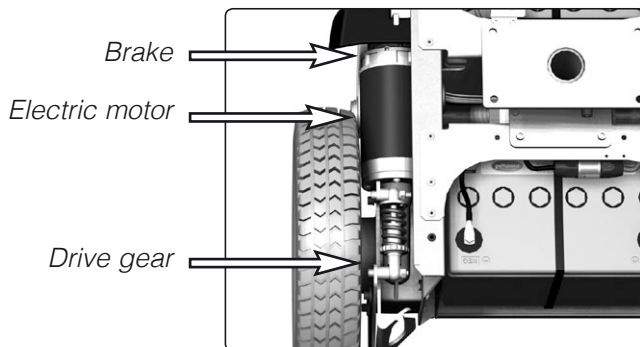


- |                  |                                |
|------------------|--------------------------------|
| 1. Back rest     | 6. Front wheels (drive wheels) |
| 2. Control panel | 7. Rear wheels                 |
| 3. Seat          | 8. Chassis                     |
| 4. Leg rest      | 9. Arm rest                    |
| 5. Foot plate    |                                |



## Driving

The Permobil K/C300 is fitted with a drive pack for each drive wheel. The drive pack consists of an electric motor with a drive gear and brake (electromagnetic).

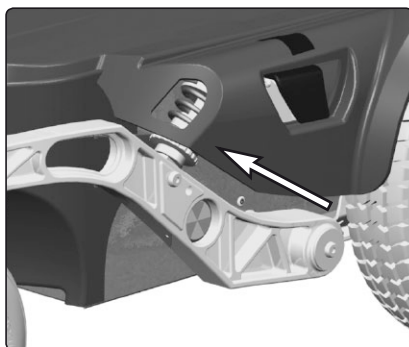


## Shock absorbers

The wheelchair is fitted with two shock absorbers with adjustable spring force. The shock absorbers may be fitted in two positions, a standard position and a position that produces slightly softer suspension.

### Adjustment of the spring force

The adjustment should be performed by personnel who are very familiar with the design and function of the wheelchair. If adjustment is required, please contact your nearest service engineer/service center or Permobil service.



*Shock absorbers*

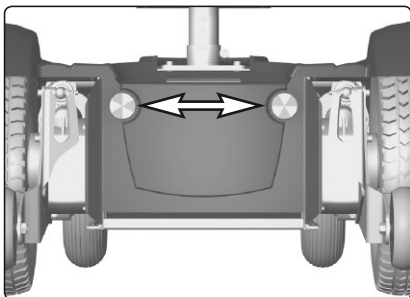
## Wheels

The wheelchair's front wheels, the drive wheels, have pneumatic tires. The rear wheels, the steering wheels, have solid rubber tires.

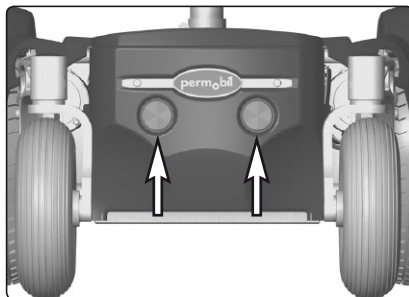
## Lights and reflectors

In the standard version, the wheelchair is fitted with reflectors at the front and rear and on the sides.

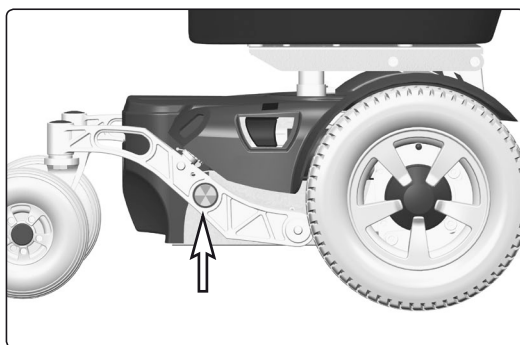
Lights and indicators are available as options.



*Front reflectors*



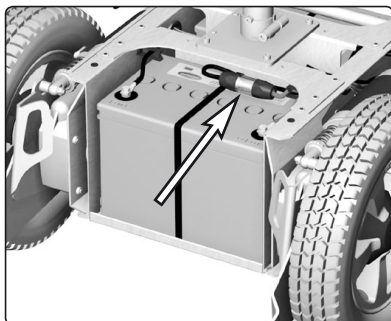
*Rear reflectors*



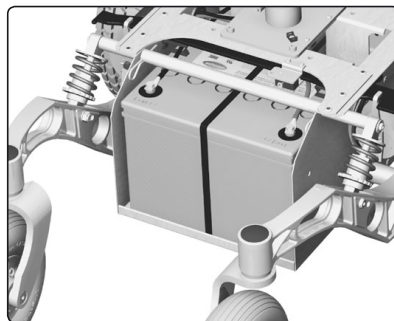
*Side reflectors*

## Batteries

The wheelchair's batteries are located under the wheelchair's chassis cover. Both batteries are easily accessible for maintenance and replacement.



*Front battery and main fuse*



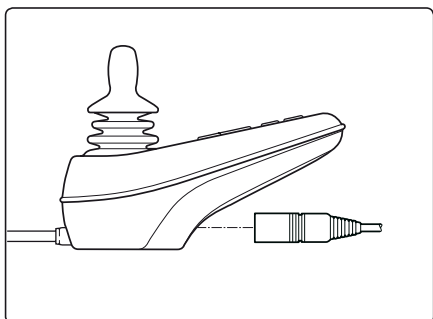
*Rear battery*

## Main fuse

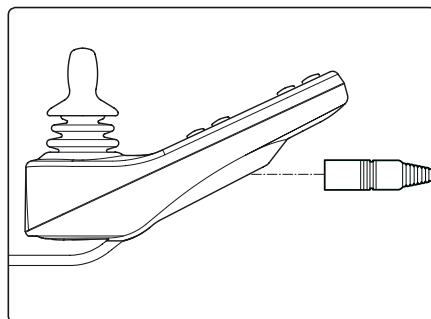
The Permobil K/C300 has a main fuse that must be replaced if it blows. The main fuse is located under the front battery cover on top of the front battery.

## Charging socket

The charging socket is located on the bottom of the control panel.



*VR2 control panel charging socket*



*R-Net control panel charging socket*

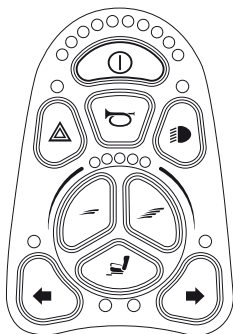
## VR2 control panel

The control panel consists of a joystick, function keys and indication lamps.

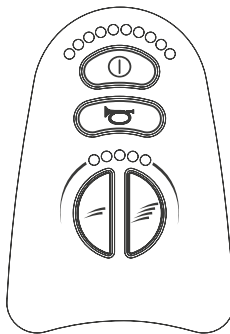
*VR2 control panel overview*



The number of function keys/indication lamps varies, depending on the equipment your wheelchair has, for example whether it has lights or not and what seat functions it has.



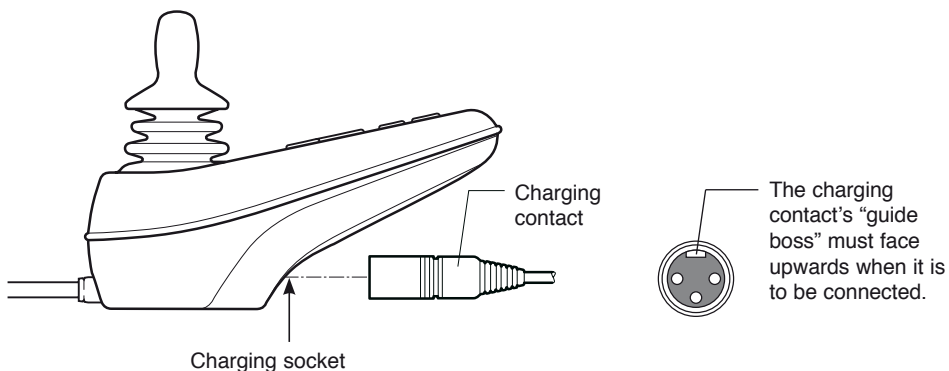
Control panel with lights and seat functions



Control panel without lights and seat functions

## Charging/Programming socket

This socket is used only to charge the wheelchair. A VR2 compatible Hand-held or PC Programmer can be connected to this socket, in order to make changes to the wheelchair's driving characteristics. The socket must not be used as a power source for any other electrical equipment. Connecting other electrical equipment may damage the control system or lead to the wheelchair having reduced electromagnetic compatibility (EMC).



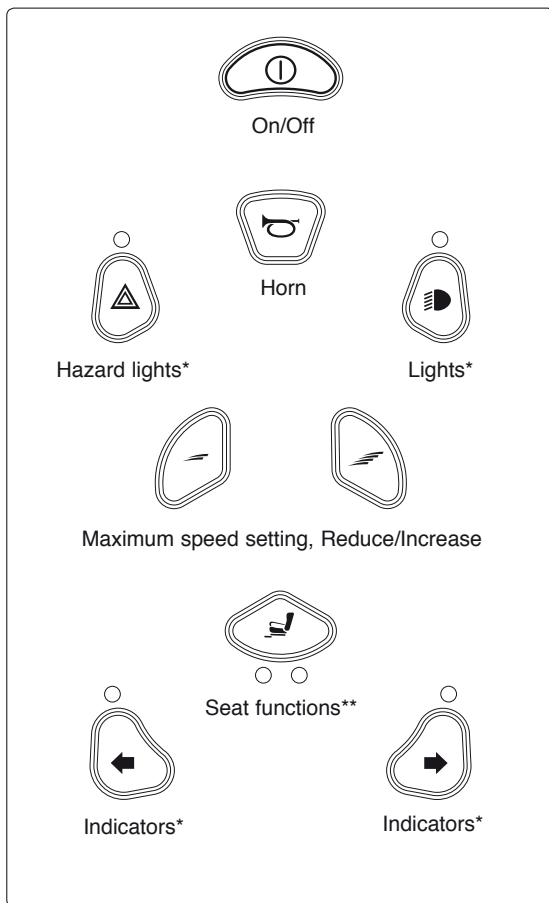
### WARNING

The wheelchair's warranty ceases to apply if any equipment other than the battery charger belonging to the wheelchair, the key used for locking, or a compatible programmer is connected to the control panel's charging contact.

## VR2 control panel

### Function keys

There are up to 10 function keys on the control panel. The number of function keys/indication lamps varies, depending on the equipment your wheelchair has.



\* Applies only if the wheelchair is fitted with lights.

\*\* Applies only if the wheelchair is fitted with electric seat functions

## VR2 control panel

### On/off key

This switch is used to start or switch off the wheelchair. The start key must be pressed for the wheelchair to work.



#### WARNING

Do not use the on/off key to stop the wheelchair, except in an emergency. You can be thrown out of the chair or reduce the life of the wheelchair's drive system.

### Horn

Press the switch to produce a signal to attract attention.

### Hazard lights\*

This key activates/deactivates the wheelchair's hazard lights. Hazard lights are used when the wheelchair is stationary in a position which may represent a risk or an obstacle for others. Press this key to activate the hazard lights. Press it again to deactivate them. When the hazard lights are active, the indicator lamp next to the control key flashes in time with all the indicators on the wheelchair.

### Lights\*

This key activates and deactivates the wheelchair's lights. Press this key to switch on the lights. Press it again to switch them off. When the lights are activated, the indicator lamp next to the control key is also switched on.

### Max. speed

These keys normally reduce or increase the wheelchair's maximum speed. In special applications, the keys can instead control the choice of driving profile.

### Seat functions\*\*

Activates/deactivates the seat functions with which your wheelchair is equipped. The function selected is then controlled using the joystick.

### Indicators\*

These keys activate and deactivate the wheelchair's left and right indicators. Press the key to activate the indicators. Press it again to deactivate them. When the indicators are active, the indicator lamp next to the control key flashes in time with the left or right indicators on the wheelchair.

\* Applies only if the wheelchair is fitted with lights.

\*\* Applies only if the wheelchair is fitted with electric seat functions

## VR2 control panel

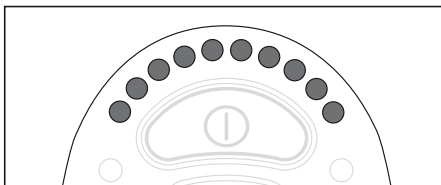
### Battery charge indicator

Shows the approximate charge level of the batteries (from left to right):

Red+Yellow+Green = Fully charged  
Red+Yellow = Half charged  
Red = Charge the batteries

A good way of using this indicator is to learn how it works while you are driving. Like a fuel gage in a car, it does not show exactly how much “fuel” is left, but it gives you a rough idea so that you can avoid unnecessary stops because the batteries are discharged.

The indicator shows a more exact value after approximately 1 minute of driving.



#### CAUTION

The battery charge indicator also functions as a “fault indicator” for the wheelchair’s electronics. See page 75 for further information.



## VR2 control panel

### Max. speed indicator

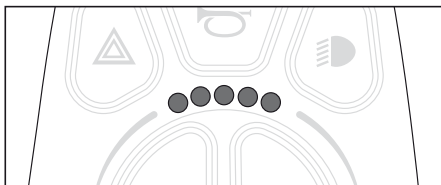
#### *Speed*

Indicates the maximum speed set for the wheelchair.

- 1 - 2 lamps = Low speed
- 3 - 4 lamps = Average speed
- 5 lamps = Max. speed

#### *Driving profile*

For special applications, the wheelchair can be programmed with more than one driving profile. In this case, the indicator's LEDs display the driving profile selected instead. There can be up to 5 driving profiles.



#### CAUTION

The indicator for max. speed/driving profile also functions as a “fault indicator” for the wheelchair’s electronics. See page 75 for further information.

## Locking/unlocking the wheelchair

To avoid the wheelchair being used by unauthorized persons, the electronics unit can be locked by performing the following steps using the On/Off key and the joystick on the control panel:

### Locking:

- Ensure that the wheelchair is switched on. Press and hold down the On/Off key for approximately 1 second until a signal sounds and then release the key.
- Move the joystick forwards until a signal sounds. Then move it backwards until another signal sounds.
- Release the joystick. A longer signal sounds and the wheelchair is now locked.

### Unlocking:

- Switch on the chair with the On/Off key (the LEDs in the speed indicator will scroll forwards and backwards).
- Move the joystick forwards until a signal sounds. Then move it backwards until another signal sounds.
- Release the joystick. A longer signal sounds and the wheelchair is now unlocked.

### CAUTION

#### **Automatic switch-off.**

The control system can be programmed so that it is switched off automatically if the wheelchair is not driven within a specific time. This time is normally set as 30 minutes.

## Joystick

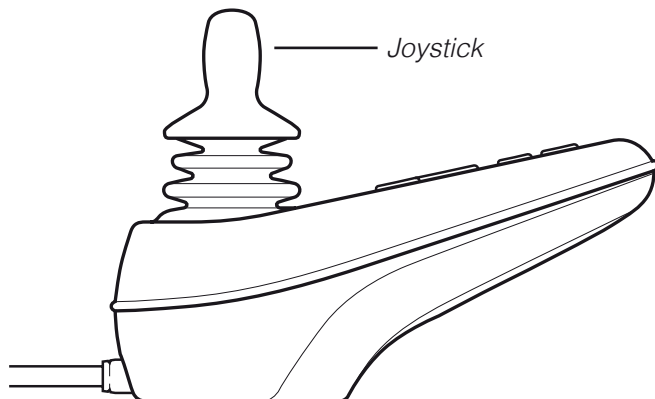
The joystick is used to control the wheelchair's speed forwards and backwards, to turn and to brake.

The speed is adjusted steplessly by moving the joystick forwards or backwards.

The speed is directly proportional to the movement of the joystick:

- small movement = low speed
- big movement = high speed

The wheelchair is turned by moving the joystick to the left or right. The wheelchair is braked when the joystick is moved back to the neutral position or released completely.



## R-Net control panel LCD monochrome display

### General

The Control Panel consists of a joystick, function buttons and a display. At the front of the panel is the Charger Socket. Two Jack Sockets are located on the bottom of the panel.

Your wheelchair may also be equipped with a Seat Control Panel in addition to the control panel.

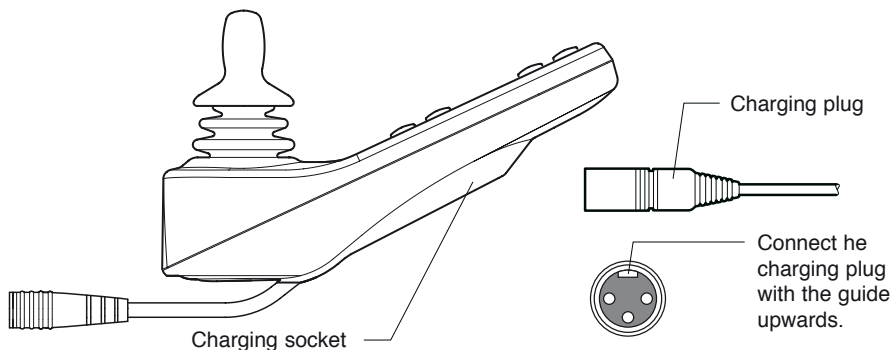
*Control Panel Overview*



## R-Net control panel LCD monochrome display

### Charger Socket

This socket should only be used for charging or locking the wheelchair. Do not connect any type of programming cable into this socket. This socket should not be used as a power supply for any other electrical device. Connection of other electrical devices may damage the control system or affect the E.M.C. performance of the wheelchair.)



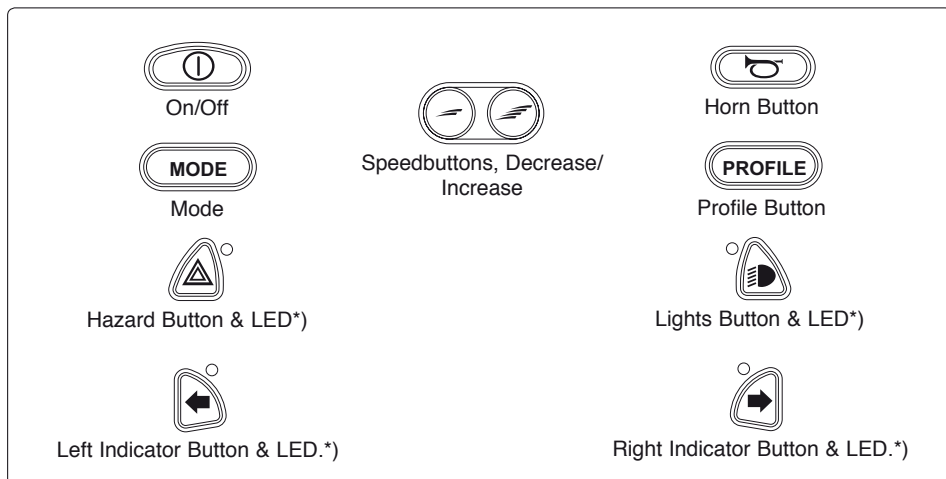
### WARNING

The wheelchair's warranty will be voided if any device other than a battery charger supplied with the wheelchair, or the lock key is connected into the control panels charger socket.

## R-Net control panel LCD monochrome display

### Function Buttons

On the control panel there are a total of 10 Function Buttons.



\*) Only active if the wheelchair is equipped with lights.

### On/Off Button

The On/Off button applies power to the control system electronics, which in turn supply power to the wheelchair's motors.



#### WARNING

Do not use the On/Off Button to stop the wheelchair unless there is an emergency. If you do, you may get thrown out of the chair or shorten the life of the wheelchair drive components.

### Horn Button

The horn will sound while this button is depressed.

### Maximum Speed Buttons

These buttons decrease/increase the wheelchair's maximum speed. Depending on the way the control system has been programmed, a momentary screen may be displayed when these buttons are pressed.

## **R-Net control panel LCD monochrome display**

### **Mode Button**

The Mode button allows the user to navigate through the available operating Modes for the control system. The available modes are dependant on programming and the range of auxiliary output devices connected to the control system.

### **Profile Button**

The profile button allows the user to navigate through the available Profiles for the control system. The number of available Profiles is dependant on how the control system is programmed. Depending on the way the control system has been programmed a momentary screen may be displayed when the button is pressed.

### **Hazard Warning Button and LED\*)**

This button activates/deactivates the wheelchairs hazards lights. This function is used when the wheelchair is positioned in a way making it a obstruction for others. Push the button to activate the hazard lights and push it again to deactivate them. When activated the indicator LED will flash in sync with the wheelchair's indicators.

### **Lights Button and LED\*)**

This button activates and deactivates the wheelchair's lights. Depress the button to turn the lights on and depress the button again to turn them off. When activated the lights LED will illuminate.

### **Left Indicator Button and LED\*)**

This button activates and deactivates the wheelchair's left indicator. Depress the button to turn the indicator on and depress the button again to turn it off. When activated the left indicator LED will flash in sync with the wheelchair's indicator.

### **Right Indicator Button and LED\*)**

This button activates and de-activates the wheelchair's right indicator. Depress the button to turn the indicator on and depress the button again to turn it off. When activated the right indicator LED will flash in sync with the wheelchair's indicator.

\*)Only active if the wheelchair is provided with lights.

## R-Net control panel LCD monochrome display

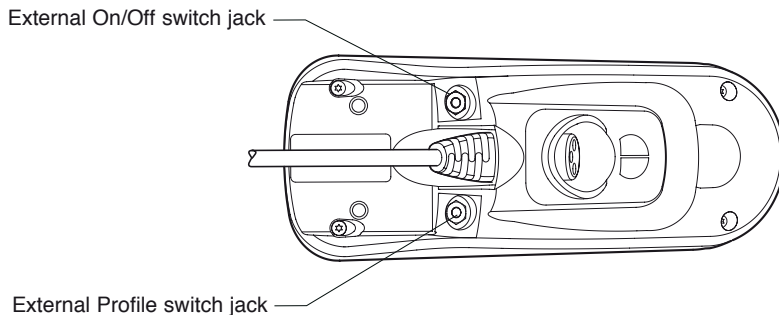
### External On/Off Switch Jack

This allows the user to turn the control system on and off using an external ability switch, such as a buddy button.

### External Profile/Mode Switch Jack

(This jack's function varies depending on the programming.)

This allows the user to select Profiles using an external ability switch, such as a buddy button.





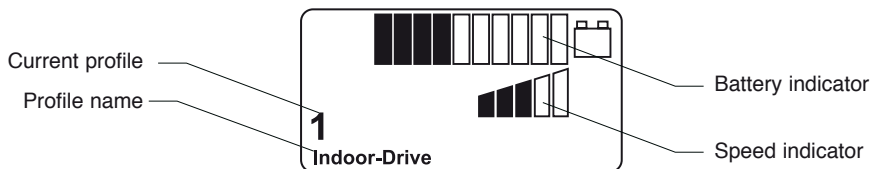
## R-Net control panel LCD monochrome display

### Display

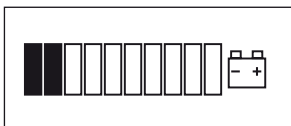
The status of the control system is shown in the display. The control system is on when the display is backlit.

### Screen Symbols

The Drive screen for the R-net has common components, which will always appear, and components which will only appear under certain conditions. Below is a view of a typical Drive screen in Profile 1.



### Battery Indicator



This displays the charge available in the battery and can be used to alert the user of the status of the battery.

#### *Steady*

This indicates that all is well.

#### *Flashing Slowly*

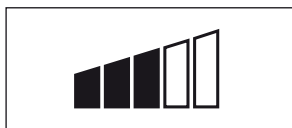
The control system is functioning correctly, but you should charge the battery as soon as possible.

#### *Stepping Up*

The wheelchair batteries are being charged. You will not be able to drive the wheelchair until the charger is disconnected and you have switched the control system off and on again.

## R-Net control panel LCD monochrome display

### Speed Indicator



This displays the current speed setting.

The speed setting is adjusted using the Speed Buttons.

### Current Profile



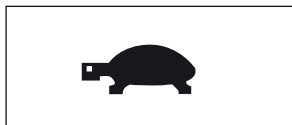
The Profile Number describes which Profile the control system is currently operating in. The Profile Text is the name or description of the Profile the control system is currently operating in.

### In Focus



When the control system contains more than one method of direct control, such as a secondary Joystick Module or a Dual Attendant Module, then the Module that has control of the wheelchair will display the In Focus symbol.

### Speed Limit



If the speed of the wheelchair is being limited; for example, by a raised seat, then this symbol will be displayed. If the wheelchair is being inhibited from driving, then the symbol will flash.

### Restart



When the control system requires a restart; for example, after a module re-configuration, this symbol will be flashed.

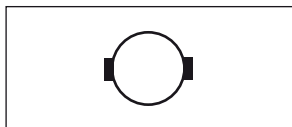
## R-Net control panel LCD monochrome display

### Fault



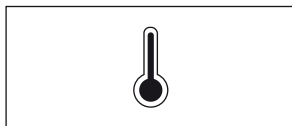
The control system can detect a wide variety of errors. When the system has detected an error that is not severe enough to cause the system to trip, then this symbol will be displayed.

### Motor Temperature



This symbol is displayed when the control system has intentionally reduced the power to the motors, in order to protect them against heat damage.

### Control system Temperature



This symbol is displayed when the control system has intentionally reduced its own power, in order to protect itself against heat damage.

### Timer



This symbol is displayed when the control system is changing between different states. An example would be entering into Programming Mode. The symbol is animated so that you can see the sand running through the hourglass.

### E-Stop



If the control system is programmed for latched operation, then it is normal for an Emergency Stop Switch to be connected into the External Profile Switch Jack. If the Emergency Stop Switch is operated or disconnected, this symbol will flash.

## R-Net control panel LCD color display

### General

The Control Panel consists of a joystick, function buttons and a display. At the front of the panel is the Charger Socket. Two Jack Sockets are located on the bottom of the panel.

Your wheelchair may also be equipped with a Seat Control Panel in addition to the control panel.

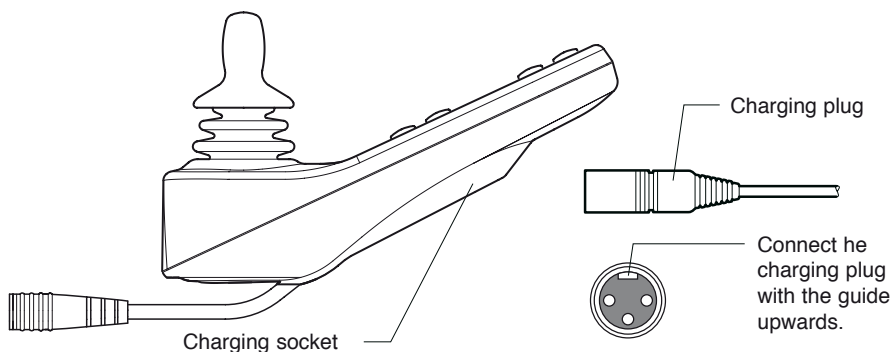
*Control Panel Overview*



## R-Net control panel LCD color display

### Charger Socket

This socket should only be used for charging or locking the wheelchair. Do not connect any type of programming cable into this socket. This socket should not be used as a power supply for any other electrical device. Connection of other electrical devices may damage the control system or affect the E.M.C. performance of the wheelchair.)



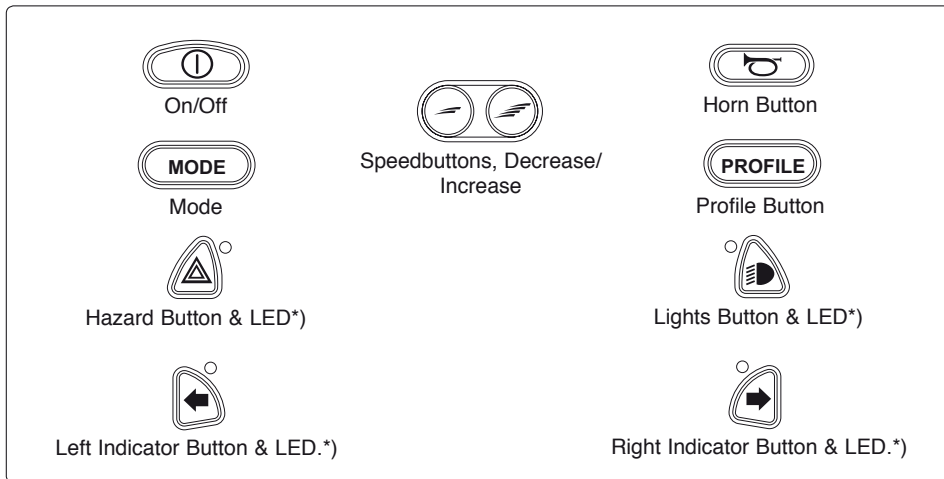
### WARNING

The wheelchair's warranty will be voided if any device other than a battery charger supplied with the wheelchair, or the lock key is connected into the control panels charger socket.

## R-Net control panel LCD color display

### Function Buttons

On the control panel there are a total of 10 Function Buttons.



\*) Only active if the wheelchair is equipped with lights.

### On/Off Button

The On/Off button applies power to the control system electronics, which in turn supply power to the wheelchair's motors.



### WARNING

Do not use the On/Off Button to stop the wheelchair unless there is an emergency. If you do, you may get thrown out of the chair or shorten the life of the wheelchair drive components.

### Horn Button

The horn will sound while this button is depressed.

### Maximum Speed Buttons

These buttons decrease/increase the wheelchair's maximum speed. Depending on the way the control system has been programmed a momentary screen may be displayed when these buttons are pressed.

## R-Net control panel LCD color display

### **Mode Button**

The Mode button allows the user to navigate through the available operating Modes for the control system. The available modes are dependant on programming and the range of auxiliary output devices connected to the control system.

### **Profile Button**

The profile button allows the user to navigate through the available Profiles for the control system. The number of available Profiles is dependant on how the control system is programmed. Depending on the way the control system has been programmed a momentary screen may be displayed when the button is pressed.

### **Hazard Warning Button and LED\*)**

This button activates/deactivates the wheelchairs hazards lights. This function is used when the wheelchair is positioned in a way making it a obstruction for others. Push the button to activate the hazard lights and push it again to deactivate them. When activated the indicator LED will flash in sync with the wheelchair's indicators.

### **Lights Button and LED\*)**

This button activates and deactivates the wheelchair's lights. Depress the button to turn the lights on and depress the button again to turn them off. When activated the lights LED will illuminate.

### **Left Indicator Button and LED\*)**

This button activates and deactivates the wheelchair's left indicator. Depress the button to turn the indicator on and depress the button again to turn it off. When activated the left indicator LED will flash in sync with the wheelchair's indicator.

### **Right Indicator Button and LED\*)**

This button activates and de-activates the wheelchair's right indicator. Depress the button to turn the indicator on and depress the button again to turn it off. When activated the right indicator LED will flash in sync with the wheelchair's indicator.

\*)Only active if the wheelchair is provided with lights.

## R-Net control panel LCD color display

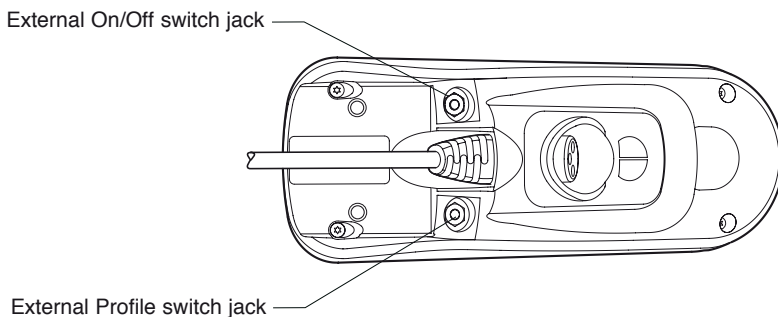
### External On/Off Switch Jack

This allows the user to turn the control system on and off using an external ability switch, such as a buddy button.

### External Profile/Mode Switch Jack

(This jack's function varies depending on the programming.)

This allows the user to select Profiles using an external ability switch, such as a buddy button.





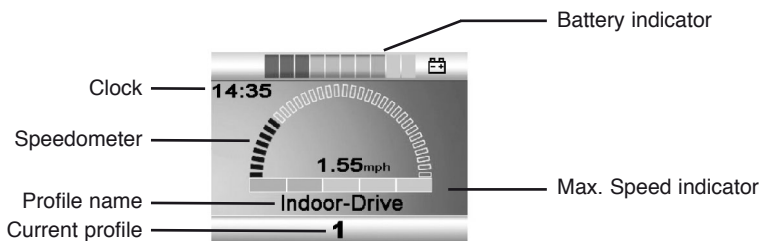
## R-Net control panel LCD color display

### Display

The status of the control system is shown in the display. The control system is on when the display is backlit.

### Screen Symbols

The Drive screen for the R-net has common components, which will always appear, and components which will only appear under certain conditions. Below is a view of a typical Drive screen in Profile 1.



### Battery Indicator



This displays the charge available in the battery and can be used to alert the user of the status of the battery.

#### *Steady*

This indicates that all is well.

#### *Flashing Slowly*

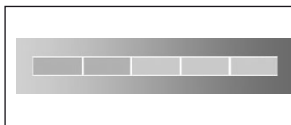
The control system is functioning correctly, but you should charge the battery as soon as possible.

#### *Stepping Up*

The wheelchair batteries are being charged. You will not be able to drive the wheelchair until the charger is disconnected and you have switched the control system off and on again.

## R-Net control panel LCD color display

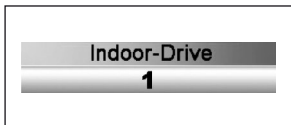
### Speed Indicator



This displays the current speed setting.

The speed setting is adjusted using the Speed Buttons.

### Current Profile



The Profile Number describes which Profile the control system is currently operating in. The Profile Text is the name or description of the Profile the control system is currently operating in.

### In Focus



When the control system contains more than one method of direct control, such as a secondary Joystick Module or a Dual Attendant Module, then the Module that has control of the wheelchair will display the In Focus symbol.

### Speed Limit



If the speed of the wheelchair is being limited; for example, by a raised seat, then this symbol will be displayed. If the wheelchair is being inhibited from driving, then the symbol will flash.

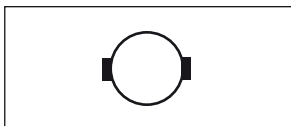
### Restart



When the control system requires a restart; for example, after a module re-configuration, this symbol will be flashed.

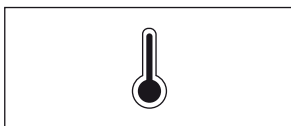
## R-Net control panel LCD color display

### Motor Temperature



This symbol is displayed when the control system has intentionally reduced the power to the motors, in order to protect them against heat damage.

### Control system Temperature



This symbol is displayed when the control system has intentionally reduced its own power, in order to protect itself against heat damage.

### Timer



This symbol is displayed when the control system is changing between different states. An example would be entering into Programming Mode. The symbol is animated so that you can see the sand running through the hourglass.

### E-Stop



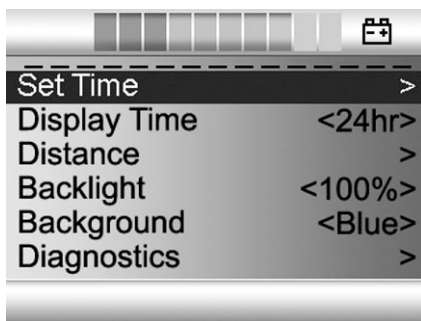
If the control system is programmed for latched operation, then it is normal for an Emergency Stop Switch to be connected into the External Profile Switch Jack. If the Emergency Stop Switch is operated or disconnected, this symbol will flash.

## R-Net control panel LCD color display

### Installation menu

The installation menu permits the user to set the clock, the display brightness, background color etc. Access the menu by holding down the keys for higher and lower maximum speed simultaneously. Scroll through the menu by moving the joystick up or down.

Exit the installation menu by first selecting "Exit" at the bottom of the menu and then moving the joystick to the right.



### Setting the time (Set Time)

Select "Set Time" in the menu. Move the joystick to the right to go to the menu for setting the time. Then select "Year", "Month", "Date", "Hours" and "Minutes" by moving the joystick left or right. Set the desired value by moving the joystick up or down. Exit the installation menu by selecting "Exit" and then moving the joystick up or down.

### Displaying the time (Display Time)

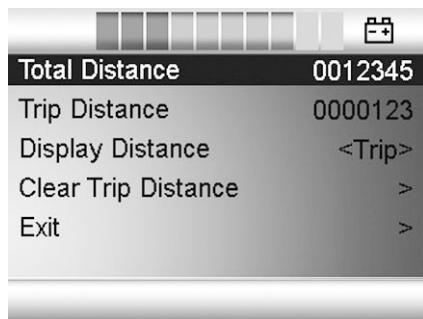
Select "Display Time" in the menu. Move the joystick right or left to select 12 or 24 hour display, or "Off" to remove the clock from the display.

## Control panel R-Net LCD color display

### Distance measurement (Distance)

Select "Distance" in the menu. Move the joystick to the right to go to the menu for setting distance measurement. Then select "Total distance", "Trip", "Distance display" or "Reset" by moving the joystick up or down.

- **Total distance** (Total Distance): Shows the total distance traveled by the control system.
- **Trip** (Trip Distance): Shows the total distance traveled since the last reset.
- **Distance display** (Display Distance): Selects Trip or Total Distance in the display.
- **Reset** (Clear trip distance): Move the joystick to the right to reset the Trip measurer.
- **Exit** (Exit): Move the joystick to the right to exit the installation menu.



### Brightness (Backlight)

Select "Backlight" in the menu. Move the joystick to right or left to set the desired brightness for the display backlight. Ten fixed levels are available from 10-100%.

### Background (Background)

Select "Background" in the menu. Move the joystick right or left to select "Blue", "White" or "Auto".

- **Blue** (Blue): The display background is blue in all profiles.
- **White** (White): The display background is white in all profiles.
- **Automatic** (Auto): The display background is programmed in the various travel profiles. E.g. blue background for slow profile for indoors travel and white background for rapid profile for outdoors travel.

### Diagnostics (Diagnostics)

For qualified technicians only.

## R-Net control panel LED

### General

The Control Panel consists of a joystick, function buttons and a display. At the front of the panel is the Charger Socket. Two Jack Sockets are located on the bottom of the panel.

Your wheelchair may also be equipped with a Seat Control Panel in addition to the control panel.

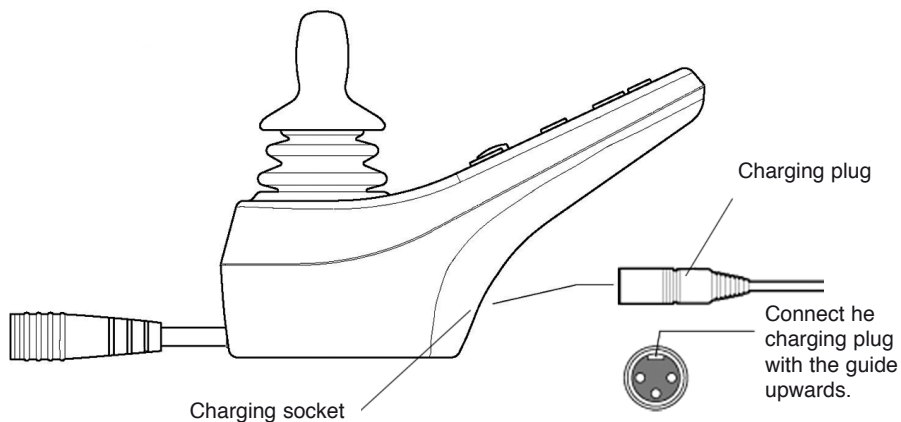
*Control Panel Overview*



## R-Net control panel LED

### Charger Socket

This socket should only be used for charging or locking the wheelchair. Do not connect any type of programming cable into this socket. This socket should not be used as a power supply for any other electrical device. Connection of other electrical devices may damage the control system or affect the E.M.C. performance of the wheelchair.)



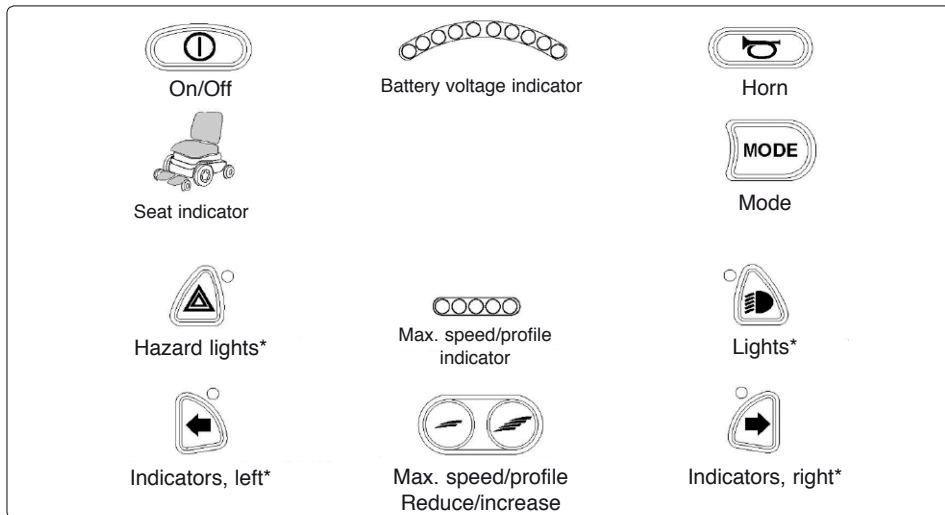
### WARNING

The wheelchair's warranty will be voided if any device other than a battery charger supplied with the wheelchair, or the lock key is connected into the control panels charger socket.

## R-Net control panel LED

### Function keys

There are a total of 9 function keys on the control panel with LEDs.



\* Applies only if the wheelchair is fitted with lights.

### On/off key

The on/off key is the switch for the control system's electronics which, in turn, supply power to the wheelchair's motors.

#### **WARNING**

Do not use the on/off key to stop the wheelchair, except in an emergency. You may be thrown out of the chair, or you may shorten the life of the wheelchair's drive system.

### Horn

Pressing the switch produces a sound signal for attracting attention.

### Max. speed/choice of profile

These keys normally reduce or increase the wheelchair's maximum speed. In special applications, the keys can instead control the choice of driving profile.



## R-Net control panel LED

### Mode

With the Mode key the user can scroll between the control system's available operating modes. The available modes depend on the programming and on which other output devices are connected to the control system.

### Hazard lights\*)

This key activates and deactivates the wheelchair's hazard lights. Hazard lights are used when the wheelchair is stationary in a position which may represent a risk or an obstacle for others. Press this key to activate the hazard lights. Press it again to deactivate them. When the hazard lights are active, the indicator lamp next to the control key flashes in time with the wheelchair's direction indicators.

### Lights\*

This key activates and deactivates the wheelchair's lights. Press this key to switch on the lights. Press it again to switch them off. When the lights are activated, the indicator lamp next to the control key also lights up.

### Indicators, left\*

This key activates and deactivates the wheelchair's left-hand direction indicators. Press the key to activate the indicators. Press it again to deactivate them. When the indicators are active, the indicator lamp next to the control key flashes in time with the wheelchair's left-hand direction indicators.

### Indicators, right\*

This key activates and deactivates the wheelchair's right-hand direction indicators. Press the key to activate the indicators. Press it again to deactivate them. When the indicators are active, the indicator lamp next to the control key flashes in time with the wheelchair's right-hand direction indicators.

\* Applies only if the wheelchair is fitted with lights.

## R-Net control panel LED

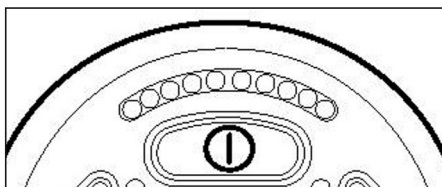
### Battery voltage indicator

Shows the voltage remaining in the batteries (from left to right):

Red+Yellow+Green	= Fully charged
Red+Yellow	= Half charged
Red	= Charge the batteries

A good way of using this indicator is to learn how it works while you are driving. Like a fuel gage in a car, it does not show exactly how much “fuel” is left, but it gives you a rough idea so that you can avoid unnecessary stops due to discharged batteries.

The indicator shows a more exact value after approximately 1 minute of travel.



### CAUTION

The battery voltage indicator also functions as a “fault indicator” for the wheelchair’s electronics. See page 106 for further information.

## R-Net control panel LED

### Max. speed indicator

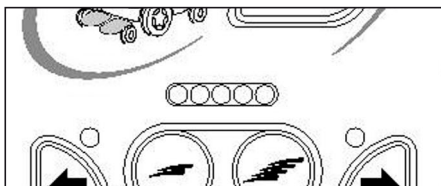
#### *Speed*

Indicates the maximum speed set for the wheelchair.

- 1 - 2 lamps = Low speed
- 3 - 4 lamps = Average speed
- 5 lamps = Max. speed

#### *Driving profile*

For special applications, the wheelchair can be programmed with more than one driving profile. In this case, the indicator's LEDs will instead display the selected driving profile. There can be up to 5 driving profiles.



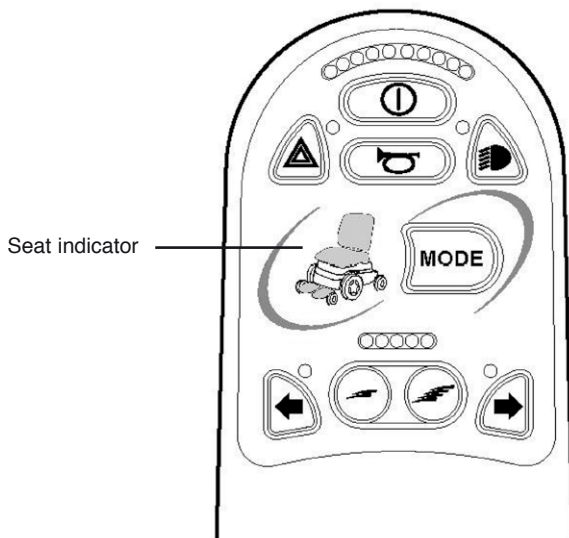
### CAUTION

The indicator for max. speed/driving profile also functions as a “fault indicator” for the wheelchair’s electronics. See page 106 for further information.

## R-Net control panel LED

### Seat indicator

On certain seats the electrical functions for seat lift, seat angle, backrest angle and legrest angle are controlled with the control panel joystick. In this case the active seat function is indicated on the control panel seat indicator.



# Operation

## General

The Permobil K/C300 is designed for use both indoors and outdoors. When you drive indoors, you must be careful in, for example, narrow passages, when going through doors and entrances and when using lifts, ramps, etc.

You should also consider the risk of crushing when you use the electric seat lift and seating functions, above all if the wheelchair has been driven under tables, benches, etc. Outdoors you should remember to drive very slowly down steep slopes and to be very careful when driving on uneven surfaces, up slopes, on side slopes and over obstacles. Always observe a good safety distance when driving near edges and precipices.

We recommend that you do repeated test drives in an environment in which you feel safe so that you are very familiar with how the wheelchair and its accessories behave in different situations before you start to use the wheelchair on public roads and in other public locations.

## General - Driving

Check that the control panel is correctly fitted and the joystick is in the neutral position. Ensure that you have good support, for example the wheelchair's arm rest, for the part you use to handle the joystick with. Do not just use the joystick as a support. Fast turns and driving on uneven surfaces can interfere with your ability to handle the wheelchair safely.

1. Switch on the power by pressing the start key on the control panel.

### 2. Driving profile selection - VR2 electronics

The system is not normally programmed for more than one driving profile, but in special applications this may be the case. In such case, select a suitable profile with the "Driving profile/speed" key. See pages 30-31.

### Driving profile selection - R-net electronics

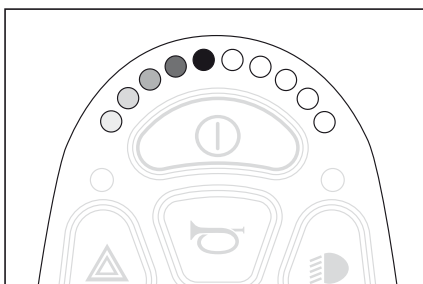
Select a suitable driving profile with the PROFILE key (if the system is programmed for more than one driving profile). See pages 38-39.

3. Move the joystick carefully forwards to drive forwards or backwards to reverse.
4. The speed setting is adjusted using the keys for higher and lower speed. The wheelchair's electronics allow very slow driving over edges. You can drive up to the edge and then carefully drive over it.

### Joystick Error - VR2 electronics

If the joystick is moved away from and held away from the central position shortly before, during and immediately after the wheelchair is started, the battery voltage indicator's LEDs will scroll forwards and back and the wheelchair cannot be driven. To be able to drive the wheelchair again, you must return the joystick to its central position within 5 seconds.

If this is not done within this time interval, switch the wheelchair off and on again with the start key on the control panel.

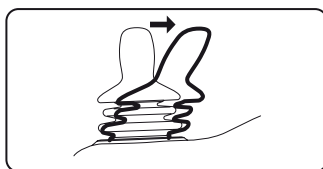


*"Moving" LEDs*

If the wheelchair still cannot be driven after the restart and the battery voltage indicator's LEDs are flashing fast, an error has occurred in the wheelchair's electronics. See more under the section "Troubleshooting" on pages 94-95, 100.

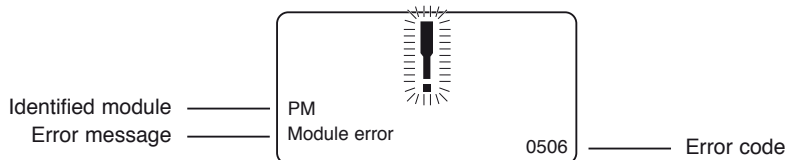
## Joystick Error - R-Net Control System

If the joystick is moved from the central position before, during or immediately after the control system is switched on, the screen image for a shifted joystick will be displayed for 5 seconds. On control panels without a display, the LEDs on the battery voltage indicator will “wander” backwards and forwards instead. If the joystick is not released during this time, a joystick error will be registered and the wheelchair will not drive. To enable the wheelchair to drive again, ensure that the joystick is in the central position. Then switch the wheelchair off and on again.



Screen image: Shifted joystick

If R-Net detects an error in the wheelchair electronics which needs attention, a “Diagnostics screen” will appear on control panels with display. See example below. On control panels without display, the battery voltage indicator LEDs will flash rapidly instead. If this happens, you should get in touch with your service contact as soon as possible.

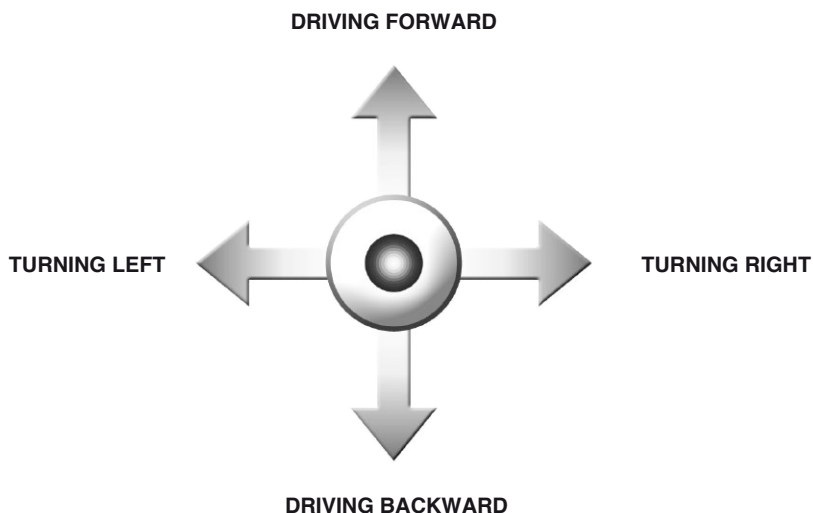


Screen: Diagnostics screen on monochrome display



## Driving Technique

The control system electronics “interpret” the movements of the joystick and move the wheelchair as intended. For normal driving, the user doesn't need to employ any complex techniques, which is an advantage if the user is inexperienced. A good way of starting is quite simply to move the joystick in the direction you want to go. The wheelchair then moves in the direction in which the joystick is pointing. Always think about driving as flexibly as possible and avoid severe braking and avoidance maneuvers.



### CAUTION

Do not perform the first test drive on your own. The test drive is of course just a check of how you and the wheelchair function together, and you may need some assistance.

Before driving, check that the wheel lock release lever is set in the drive position.



### WARNING

Do not use the joystick as the sole support for your hand or limb - wheelchair movements and bumps could upset your control

Always bear in mind that a high speed and extended braking distance entail an increased risk of accidents.

In the event of the wheelchair moving in an unexpected way, **RELEASE THE JOYSTICK!**

This action should stop the wheelchair under any circumstances. In the case of an emergency, if the wheelchair continues to move after releasing the joystick, turn the wheelchair off by pressing the On/Off button.

## R-Net control panel

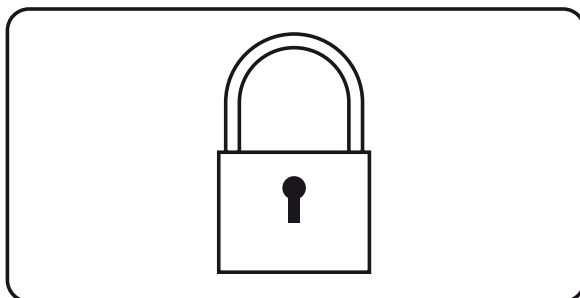
### Locking/unlocking the wheelchair

The control system can be locked in two different ways. Either by using a key sequence on the keypad or with a physical key. The method used depends on how the system has been programmed.

#### Locking with the keypad:

- Press and hold down the on/off key while the control system is active.
- After 1 second, the control system emits a beep. Release the on/off key.
- Move the joystick forwards until the control system emits a beep.
- Move the joystick back until the control system emits a beep.
- Release the joystick. You will hear a long beep.
- The wheelchair is now locked.

Control panels with display will now show the following screen:



#### Unlocking:

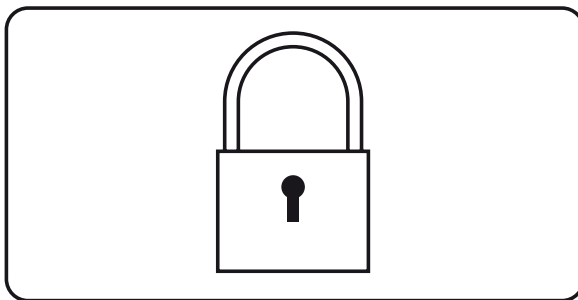
- Press the on/off key if the control system is switched off. On control panels without display the LEDs on the speed indicator will “wander” backwards and forwards).
- Move the joystick forwards until the control system emits a beep.
- Move the joystick back until the control system emits a beep.
- Release the joystick. You will hear a long beep.
- The wheelchair is now unlocked.

## R-Net control panel

### Locking with a key

- Press the on/off key if the control system is switched off.
- Insert and remove the key from the charging contact on the control panel.
- The wheelchair is now locked.

Control panels with display will now show the following screen:



### Unlocking:

- Press the on/off key if the control system is switched off. On control panels without display the LEDs on the speed indicator will “wander” backwards and forwards).
- Insert and remove the key from the charging contact.
- The wheelchair is now unlocked.

## Seat functions R-Net LCD

(Not applicable to all seat models)

On some seats the electrical functions can be controlled with the help of the control panel joystick. Some models are equipped with three memory locations. Each memory location can store the position of the seat's adjustment device. This means that it is easy to retrieve a seat position saved earlier.

### Maneuvering the seat

1. Press the "Mode" button one or more times until an icon for seat function appears in the control panel display - see illustration.
2. Move the joystick to the left or right to select a seat function. The icon for the seat function selected appears in the display.
3. Move the joystick forwards or backwards to activate the function.

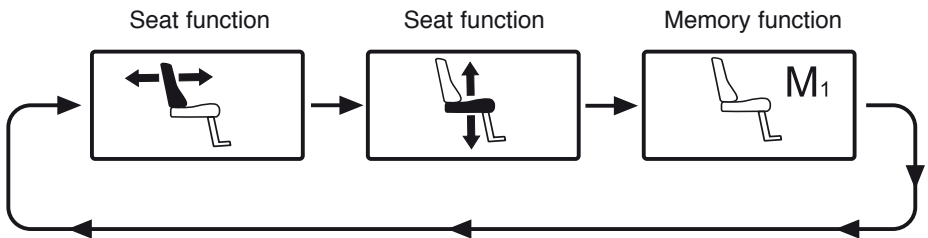
Below is an example of the icons that may be shown in the display. Which icons are shown varies depending on the seat model and available functions.



*Seat function activated.*

**CAUTION**

If the symbol "M" appears together with the seat icon, this means that a memory function has been activated. Move the joystick to the left or right to choose a seat function instead.



*Move the joystick to the left or right to select a function.  
The icon for the function selected appears in the display.*

## Seat functions R-Net LCD

(Not applicable to all seat models)

### Return to drive mode

Press the "Mode" button one or more times until a standard display image with speed indicator appears in the control panel display - see illustration.



*Standard display image with speed indicator.*

## Seat functions R-Net LCD

(Not applicable to all seat models)

The control system on some seats has three memory locations for seat positions. Each memory location can store the position of the seat's adjustment device. This means that it is easy to retrieve a seat position saved earlier.

### Retrieving position from memory

1. Press the "Mode" button one or more times until a seat icon appears in the control panel display.
2. Move the joystick to the left or right to select a memory location (M1, M2 or M3). A seat icon and memory symbol "M" for the memory location selected are shown in the control panel display - see illustration.
3. Move and hold the joystick forwards. The seat adjusts to the position stored earlier. For reasons of safety, the joystick must be held forwards until the seat is fully adjusted to the required position. Once the seat has adjusted to the saved position, it stops moving.

### CAUTION

Movement of the seat can be stopped at any time by releasing the joystick.

### Return to drive mode

Press the "Mode" button one or more times until a standard display image with speed indicator appears in the control panel display - see illustration.



*Memory function activated.*



*Standard display image with speed indicator.*

## Seat functions R-Net LCD

(Not applicable to all seat models)

### Saving position to memory

1. Set the seat's electrical functions to the desired mode.
2. If not activated, activate the seat/memory function by pressing the "Mode" button one or more times until a seat icon appears in the control panel display.
3. Move the joystick to the left or right to select a memory location (M1, M2 or M3). A seat icon and memory symbol "M" for the memory location selected are shown in the control panel display - see illustration.



*Memory function activated.*

4. Move the joystick backwards to activate the "save" function. An arrow will appear next to the memory symbol "M" - see illustration.
5. Save the current position by moving the joystick forwards and holding it in that position until the arrow next to the memory symbol "M" disappears.



*Save function activated.*

### Return to drive mode

Press the "Mode" button one or more times until a standard display image with speed indicator appears in the control panel display - see illustration on previous page.

## Seat functions R-Net LED

(Not applicable to all seat models)

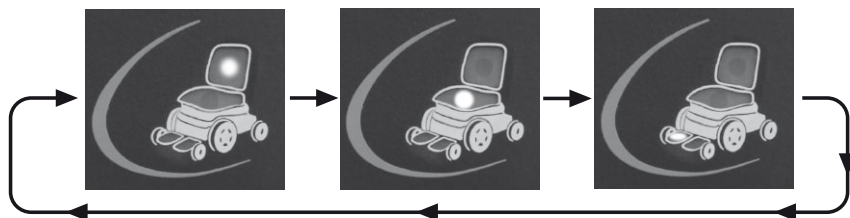
On certain seats the electrical functions for seat lift, seat angle, backrest angle and legrest angle are controlled with the control panel joystick. Other seat functions require a separate seat control panel.

### Maneuvering the seat

1. Press the "Mode" button one or more times until the LED for a seat function lights up.
2. Move the joystick to the left or right to select a seat function. The LED for the selected seat function will light up.
3. Move the joystick forwards or backwards to activate the function.



*Seat indicator*



*Move the joystick to the left or right to select a function.  
The LED for the selected function will light up.*



## **Seat functions R-Net LED**

(Not applicable to all seat models)

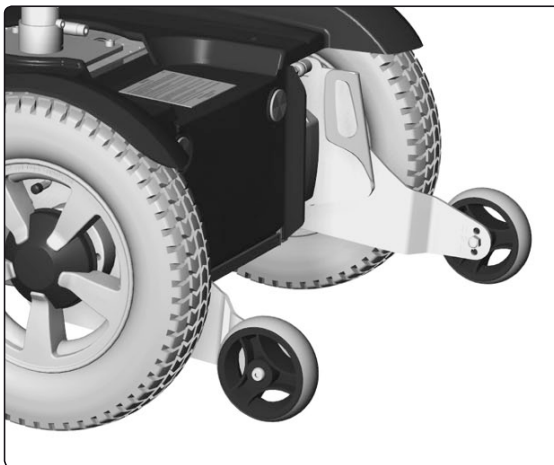
### **Return to drive mode**

Press the "Mode" button one or more times until a standard display image with speed indicator appears in the control panel display - see illustration.

## Driving rules

### Support wheels

Support wheels minimise the risk of the wheelchair tipping when driving over obstacles, etc. They must always be fitted when you drive.



*Support wheels*



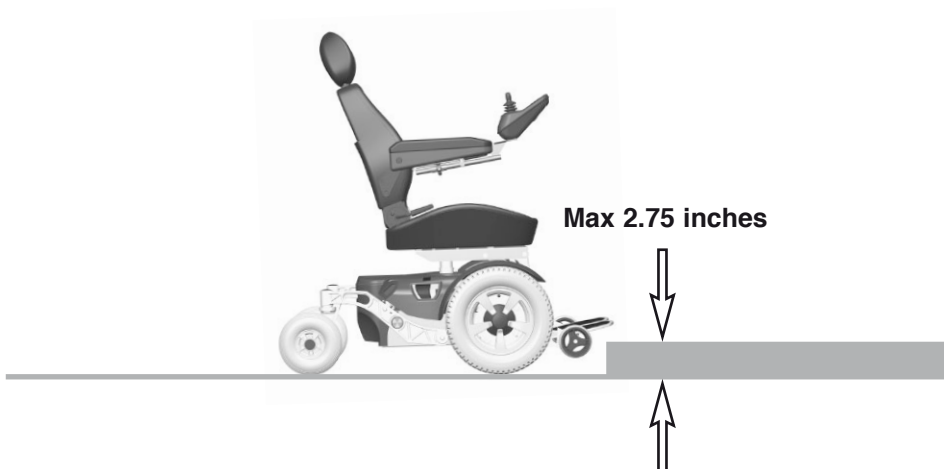
#### **WARNING**

The support wheels must always be fitted when you drive. There is a risk of tipping.

### Driving over obstacles

Do not drive the wheelchair over obstacles of a height greater than 2.75 inches. Driving over tall edges increases the risk of tipping over as well as the risk of damage to the wheelchair.

Negotiating obstacles must always be done with great care.



**⚠ CAUTION**

Do not drive the wheelchair over obstacles of a height greater than 2.75 inches. Negotiating obstacles must always be done with great care.

**⚠ CAUTION**

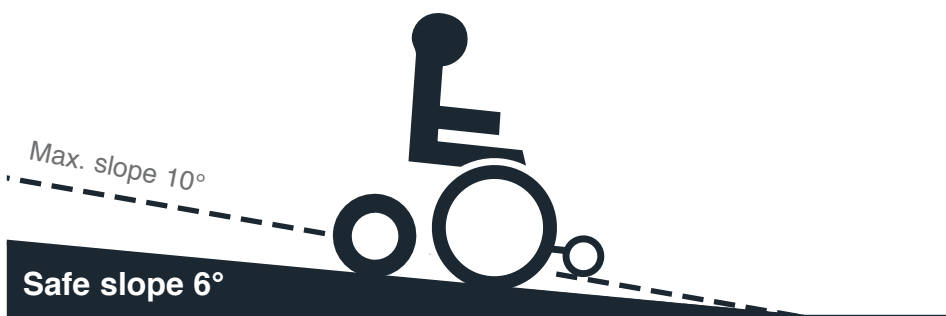
Operating the seat lift, seat tilt or backrest recline changes the center of gravity and increases the risk of tipping over, hence those seat functions shall only be used on level ground, driving in low speed with great caution.

## Driving downhill

You should always drive downhill at low speed and with great caution.

Avoid braking suddenly and sudden evasive maneuvers and never drive so fast that you are unable to control the wheelchair safely without risks.

**You should be extremely careful when driving downhill on an uneven surface (for example grass, gravel, sand, ice and snow).**



### WARNING

Do not drive downhill on a gradient greater than 10°. Dynamic stability according to ISO 7176-2 = 6°.

### WARNING

A raised seat lift/seat angle/back angle changes the center of gravity and increases the risk of tipping. Therefore, use these seat functions only on flat surfaces and always drive with great caution and at low speed.

## Driving uphill

You should always drive uphill with great caution.

Avoid sudden evasive maneuvers and never drive so fast that you are unable to control the wheelchair safely without risks.

**You should be extremely careful when driving uphill on an uneven surface (for example grass, gravel, sand, ice and snow).**



### WARNING

Do not drive uphill on a gradient greater than 10°  
Dynamic stability according to ISO 7176-2 = 6°.

### WARNING

A raised seat lift/seat angle/back angle changes the center of gravity and increases the risk of tipping. Therefore, use these seat functions only on flat surfaces and always drive with great caution and at low speed.

### Driving with sideways slopes

Driving with a sideways slope must always be performed with great care.

Avoid abrupt avoidance maneuvers and never maintain a speed higher than that at which you can maneuver the wheelchair in a safe and secure manner.

**When driving on sideways slopes with an uneven surface (for example grass, gravel, sand, ice or snow) a great deal of extra care must be observed.**



#### WARNING

Do not drive the wheelchair on sideways slopes of greater than 6 degrees. There is a risk of tipping over.

#### WARNING

Operating the seat lift, seat tilt or backrest recline changes the center of gravity and increases the risk of tipping over, hence those seat functions shall only be used on level ground, driving in low speed with great caution.

## Handling the manual brake release

The wheelchair is fitted with a manual brake release that can be released to make it possible to move the wheelchair manually. The brake release control is located in the right side of the chassis.

### Releasing the brakes

1. Switch off the wheelchair with the On/Off key on the control panel.
2. Press the release control back and, at the same time, pull it out from the chassis. See the picture. The chair can now be moved manually.

### Resetting released brakes

Push the release control back into the chassis.

#### WARNING

Never use the wheelchair on a sloping surface with the brakes released.

Always ensure that the wheelchair is switched off when the brakes are activated/deactivated.

To prevent the wheelchair from rolling off, ensure that it is on a dry, level surface before releasing the brakes.

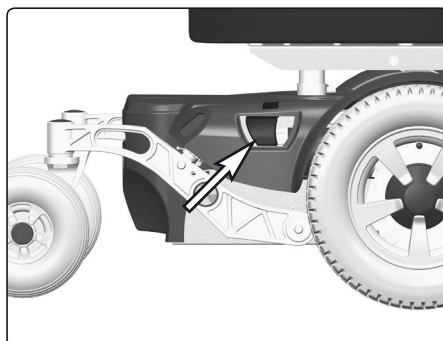
Anyone who pushes a wheelchair with the brakes released must ensure that this is done safely without risks.

Always reset the brake release after moving the wheelchair manually.

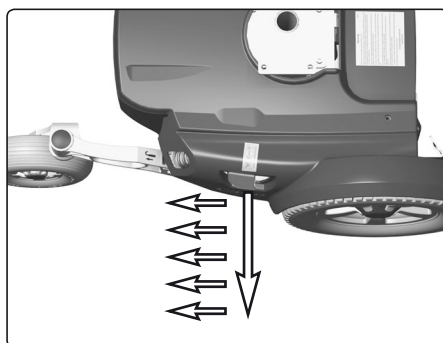
When the brakes are released, it should not be possible to drive the chair.

#### CAUTION

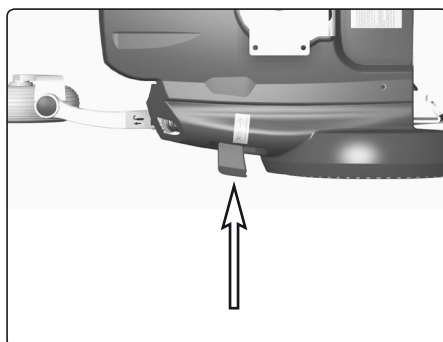
When the brake release is activated, the wheelchair cannot be driven.



*Brake release control.*



*Releasing the brakes*



*Resetting released brakes*

## Battery Charging

The amount of charge in your batteries depends on a number of factors, including the way you use your wheelchair, the temperature of the batteries, their age and the way they are made. These factors will affect the distance you can travel in your wheelchair. All wheelchair batteries will gradually lose their capacity as they age.

The most important factor that reduces the life of your batteries is the amount of charge you take from the batteries before you recharge them. Battery life is also reduced by the number of times you charge and discharge the batteries.

To make your batteries last longer, do not allow them to become completely discharged. Always recharge your batteries promptly after they are discharged.

If your battery gauge reading seems to fall more quickly than usual, your batteries may be worn out.

### CAUTION

If the batteries become drained completely due to extended or heavy use, it is important that you charge them up again as soon as possible since a complete loss of charge reduces the lifespan of the batteries.

### WARNING

Observe care in the use of metallic objects when working with batteries. A short-circuit can easily cause an explosion. Always use safety gloves and protective eye-glasses.

Only chargers with a max 10 A charging current (average value) may be used.  
(The RMS value of the charging current must not exceed 12A.)

Charging must be done in a well-ventilated room, not in a wardrobe or closet. Charging must not be done in a bathroom or wet room.

The charger's charging cable must not be extended.

The charger can become hot and hence must not have anything covering it. The charger must be positioned so that there is an air gap on all of its sides, including below (do not set the charger on thick carpeting, for example).

The charger contact must be replaced if it is damaged or becomes hot during charging. Both the contact on the charger's cord and the wheelchair's control panel should be replaced if one of them is damaged or worn. Replacement must be performed by qualified personnel.



## Charging

Connect the charger plug into the battery charging socket on the control panel. The molded guide on the socket will help you to locate the plug.

**Description and Use of Battery Charger, see supplied Owner's Manual.**

### CAUTION

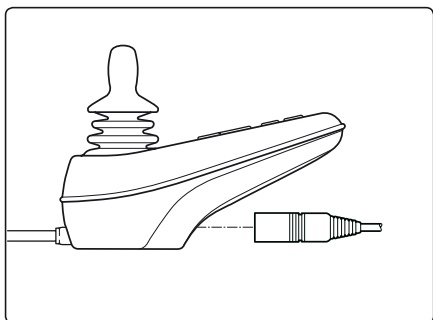
Ensure that the charger plug is pushed fully in position.

You will not be able to drive the wheelchair when the charger is connected. If the wheelchair does drive with the charger plugged in, contact an authorized Permobil service provider as soon as possible.

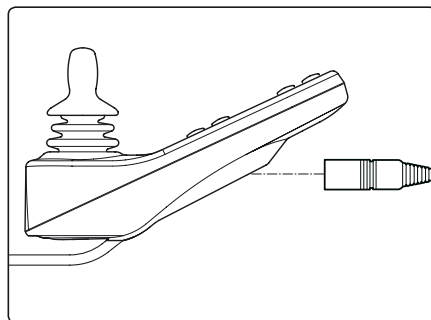
### WARNING

Only use the battery charger that has been supplied with your wheelchair or recommended by Permobil. The use of incorrect chargers could damage the batteries, wheelchair, control system or charger itself, or may result in parts overheating creating the potential for burns or even fire.

To avoid sparking and unnecessary wear and tear of the wheelchair's charging socket, be sure that the main voltage and the charger is in OFF position when connecting/disconnecting the charging cable to the wheelchair's charging socket.



*VR2 control panel charging socket*

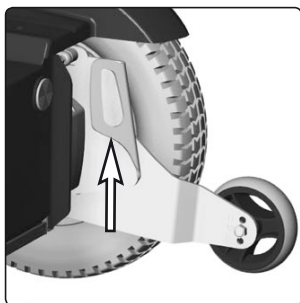


*R-Net control panel charging socket*

## Transport

The wheelchair must only be transported in vehicles approved for this purpose. Check that the wheelchair is properly secured and the brakes are not released. The wheelchair can be locked in position with loading straps from the transport eyes at the front and rear, marked with yellow stickers.

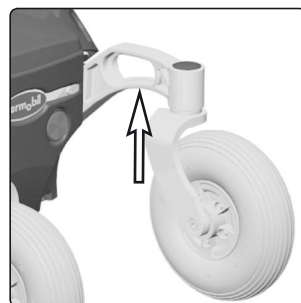
Anchor the wheelchair with the vehicle's anchoring system and according to the manufacturer's instructions. Always check that the fixing points on the transport vehicle are well anchored.



*Left front  
transport eye*



*Sticker for  
transport eyes*



*Right rear  
transport eye*

### **WARNING**

#### **Use Prohibited in Motor Vehicles**

Permobil recommends that users NOT be transported in any kind of vehicle while in their wheelchair, unless the user is in an approved Permobil wheelchair configuration, has secured the wheelchair using a Permolock C3, and is using a seatbelt attached to the vehicle. The only other safe alternative is that users be transferred into factory vehicle seating for transportation and use safety restraints made available by the auto industry. The only wheelchair transportation system Permobil recommends is a Permolock C3 used in combination with an approved Permobil wheelchair.

Unless using a Permolock C3 with an approved Permobil wheelchair, never sit in your wheelchair while in a moving vehicle. In an accident or sudden stop, you may be thrown from the chair and seriously injured or killed.

Permobil positioning belts are designed to position the user only and not to protect you in the event of a motor vehicle accident. The positioning belts do not replace use of a vehicle mounted restraint.

**⚠ WARNING**

An inadequately secured wheelchair could cause major damage and injury if it broke loose, both to persons in the transport vehicle and to the vehicle and the wheelchair itself.

Do not sit in the wheelchair in a moving vehicle. In the case of accident or a sudden stop, the user could be thrown from the chair with serious injuries as a consequence.

Any table or similar mounted on the wheelchair must be removed and secured in a separate location in the vehicle or secured safely to the wheelchair.

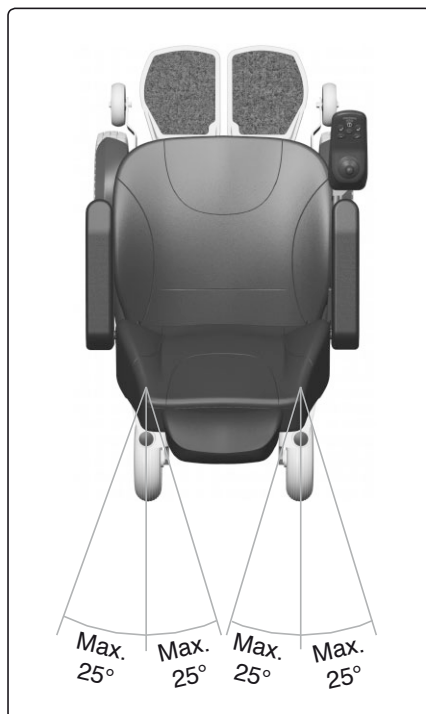
All other wheelchair accessories must be secured to the wheelchair or removed and secured in a separate location in the vehicle so that they do not come loose during transportation with the risk of injury to vehicle passengers in the event of a collision.

**Rear loading straps**

To ensure that the link arms and their bearings are not damaged, the angle of the loading straps must not exceed 25°. See the picture.

**⚠ WARNING**

The angle of the loading straps must not exceed 25°.



*The angle of the loading straps must not exceed 25°*

## General Advice for Air transport

Please refer to the Air Carrier Access Act at 49 USC § 41705 and accompanying regulations at 14 CFR Part 382 for specific guidelines and regulations pertaining to transporting wheelchairs on aircraft in the United States.

Further guidelines on transporting powered wheelchairs and batteries can be found at the Department of Transportation hazardous materials regulations (49 CFR Parts 171, 172, 173, 175).

Due to the variance in aircraft sizes and cargo space dimensions, always contact the airline prior to traveling or purchasing a ticket to make sure that your Permobil can be accommodated.

When transporting your wheelchair by air, there are especially these three items you should consider:

### 1. Batteries

*Gel batteries:* In most cases they don't need to be taken out of the wheelchair.

If your wheelchair is equipped with a Main Fuse, the electrical connections to the batteries must be disconnected and insulated. If your wheelchair has a Circuit Breaker, make sure the Circuit Breaker is in OFF-position.

*Acid batteries:* Most airlines require that the batteries should be taken out of the wheelchair and that they must be transported in special boxes that the airline can provide.

### 2. The Dimensions and Weight of the Wheelchair

The weight and dimensions of the wheelchair are significant in relation to the type of airplanes in which the wheelchair is to be transported. Always check with the airline before traveling to make sure that the aircraft in question can accommodate your wheelchair.



#### CAUTION

The weight and dimensions of the wheelchair listed in this manual are based on the most common configurations of the wheelchair. Wheelchairs which have had custom modifications or additional features may have different dimensions or weights. Be sure to measure the dimensions of your particular chair whenever exact dimensions are critical or required.

Certain airlines can refuse to take acid batteries on board.

## General Advice for Air transport

### 3. Preventing Damages

The electronic components, as well as other critical parts, in your wheelchair are highly sophisticated and fragile and care must be taken to protect them.

When transporting your wheelchair by air, we recommend that you cover the control panel with soft, shock-absorbing material (foamed plastic or similar) and fold it in towards the backrest.

Protect other fragile parts in a similar fashion. Tape any loose cables to the seat frame or covers.



#### CAUTION

In order to ensure that the transport can take place in a safe manner and that no unpleasant surprises arise at the last minute, you should always contact the respective airlines before the transport.

## Maintenance and Repairs

To ensure that your wheelchair works well, you must inspect, maintain, and obtain routine service on it regularly. Every wheelchair is subject to wear and tear between the moving parts and also due to the strains and stresses of typical use. Therefore, you must know how the wheelchair works, how to use it correctly, and how to maintain it. Preventive maintenance will minimize the risk of component failure. If you look after your wheelchair, it will work well and the risk of faults is reduced.

### Tool Kit

A tool kit comes with the wheelchair and contains the following that can be used for performing maintenance and easier repairs.

TOOL	AREA OF USE
Set of Allen Keys	General maintenance/adjustment of seat
10-11/12-13 mm Spanner	General maintenance/battery replacement
Seat Lift Crank (Powered seat lift only)	Raising the seat
2 Screwdrivers	General maintenance

#### CAUTION

Certain repairs can require tools other than those that come with the wheelchair.

#### CAUTION

The power switch on the control panel must always be shut off when batteries are replaced or when the electronics are being serviced.

#### WARNING

Any inappropriate modifications to the wheelchair and its various systems may entail an increased risk of accidents. Carefully follow the recommendations in the Handling section to prevent the risk of accidents in connection with driving.

All modifications to and interventions in the vital systems of the wheelchair must be performed by a qualified service technician. Always contact a qualified service technician in cases of doubt.

## General Batteries/Storage

- Note that a battery drains on its own and a discharged battery can freeze and burst when it is cold. If the wheelchair must be stored without being used for a long period of time, the batteries should always be charged up once per month so that they do not incur any damage.
- The wheelchair must not be stored in a room where condensation arises (mist or dampness on the surfaces) e.g. laundry rooms or similar rooms.
- The wheelchair can be stored in an unheated room. What is best for the wheelchair from a corrosion standpoint is that the room be some degrees warmer than its surroundings, which keeps the room drier.
- If the wheelchair is equipped with acid batteries, the acid level should be checked regularly. If the wheelchair is equipped with GEL batteries, the fluid level need not be checked.
- The lifespan of the batteries depends entirely upon regular charging.

### Short-term storage

In order for the charging procedure to give a battery with good capacity, the temperature in the storage room must not be lower than 41 F. Storage at under 41 F increases the risk of the battery not being fully charged when it is to be used as well as increasing the risk of corrosion.

### Long-term storage

Storage can occur in an unheated room, however the battery should be maintenance-charged at least once per month.



#### WARNING

Observe care in the use of metallic objects when working with batteries. A short-circuit can easily cause an explosion. Always use safety gloves and protective eye-glasses.

## Cleaning

Regular care and maintenance will prevent unnecessary wear and damage to your wheelchair. The following is general advice recommended by Permobil. For severe soiling of the upholstery or damage to the surface finish, contact Permobil for information.

### Upholstery, cloth/vinyl

For normal cleaning, wash the upholstery with lukewarm water and a mild non-abrasive soap. Use a soft cloth or brush. Before the surface dries, wipe off any water/soap residues with a clean, dry cloth. This procedure may be repeated to remove stubborn dirt or stains.

If necessary, the cover may be removed before cleaning. See also the washing instructions on the upholstery materials.

### Metal surfaces

For normal cleaning it is best to use a soft cloth/sponge, hot water and a mild detergent. Wipe down carefully with a cloth and water, and dry off.

Remove scuff marks from semi-matt surfaces with soft wax (follow manufacturer's instructions).

Remove scuff marks and scratches from shiny surfaces using car polish, either liquid or paste. After polishing, apply soft car wax to restore the original surface gloss.

### Plastics

For normal cleaning, wash plastic surfaces with a soft cloth, mild detergent and hot water. Rinse thoroughly and dry with a soft cloth. Do not use solvents or abrasive kitchen cleaners.

### Control panel

Use a soft cloth moistened with mild detergent and be careful when cleaning the joystick and the panel's display. Do not use solvents or abrasive kitchen cleaners. The panel must not be rinsed with water or any other liquid.



#### WARNING

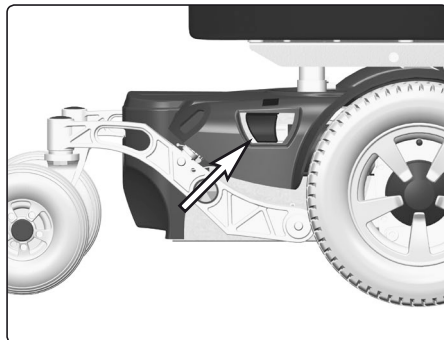
Never hose the wheelchair down as the electronics may be damaged. The wheelchair must always be turned off when being cleaned.



## Brake release

Check regularly, approximately once a month, that the brake release is working properly.

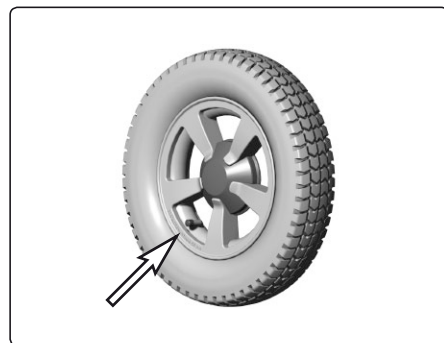
When the brakes are released, it should not be possible to drive the wheelchair.



*Brake release control.*

## Wheels

Check at regular intervals that the wheelchair's tires have the prescribed tire pressure. An incorrect tire pressure can cause deterioration in stability and maneuverability, plus extremely low air pressure can give rise to abnormal wear as well as shorter driving distances. So check regularly to see that the tires are maintained at a pressure of 29 psi (200 kPa).



*Filling valve*

### Filling tires with air

1. Unscrew the plastic cap on the air valve of the tire.
2. Connect the compressed air nozzle to the air valve and adjust the tire pressure to the prescribed level.

### Inner tube replacement, front tire

1. Chock up the wheelchair so that the wheel turns freely and let out the air.
2. Take the tire off the wheel rim.
3. Replace the inner tube.
4. Put the tire back on the wheel rim and fill with air.

### WARNING

The recommended tire pressure for front and rear tires is 29 psi (200 kPa). Overfilling entails a risk of explosion.

The incorrect tire pressure may result in lower stability and maneuverability. So check regularly that the tires have the correct pressure.

## Battery replacement

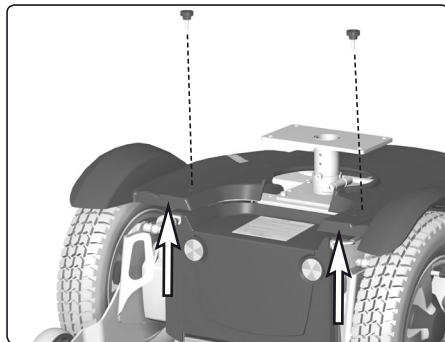
### Front battery

1. Place the wheelchair on a level surface.
2. Move/fold the leg rests out and, if possible, raise the seat lift.
3. Switch off the main power switch on the control panel.
4. Unscrew and remove the two knobs that hold the chassis cover at the front.
4. Lift the chassis cover a little at the front. Remove the front battery cover by lifting it upwards/forwards.
5. Disconnect the battery connections. See also the sticker on the inside of the battery cover.
6. Lift/pull the battery out of the chassis using the battery belt.

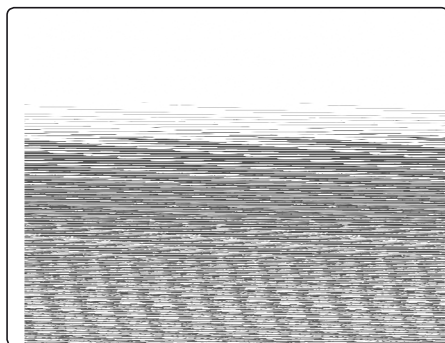
#### WARNING

Be careful when using metal objects when working with batteries. A short-circuit can easily cause an explosion. Always use safety gloves and safety goggles.

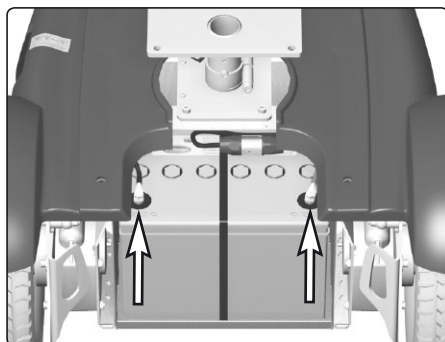
7. Lift a new battery into the chassis using the battery belt. Leave the battery belt on the battery.
8. Connect the battery connections on the new battery. See also the sticker on the inside of the battery cover.
9. Refit the battery cover and the chassis cover with the two knobs.



*Unscrew and remove the two knobs that hold the chassis cover at the front and lift the chassis cover a little at the front.*



*Lift the battery cover up and forwards.*



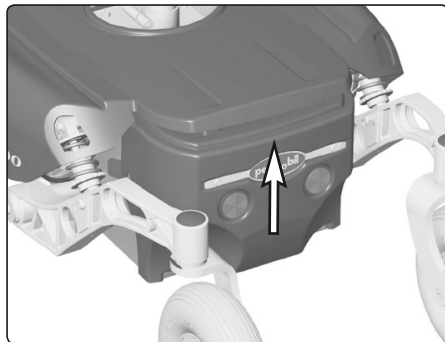
*Battery connections.*

## Replacing the rear battery

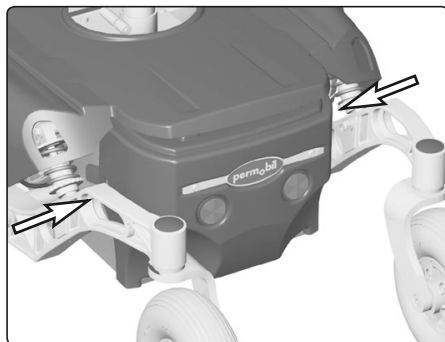
1. Place the wheelchair on a level surface.
2. Switch off the main power switch on the control panel.
3. Lift the chassis cover a little at the rear so that the rear battery cover can move freely.
4. Remove the rear battery cover by pulling its guide lips straight out on both sides and then lifting it upwards/backwards.
5. Disconnect the battery connections. See also the sticker on the battery cover.
6. Lift/pull the battery out of the chassis using the battery belt.

### WARNING

Be careful when using metal objects when working with batteries. A short-circuit can easily cause an explosion. Always use safety gloves and safety goggles.

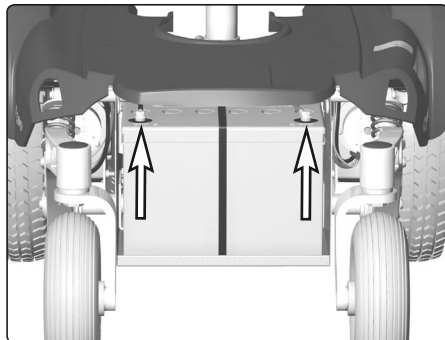


*Lift the chassis cover a little at the rear.*



*Remove the rear battery cover by pulling its guide lips straight out on both sides.*

7. Lift a new battery into the chassis using the battery belt. Leave the battery belt on the battery.
5. Connect the battery connections. See also the sticker on the battery cover.
9. Refit the battery cover and the chassis cover.



*Battery connections.*

## **Accessories**

Accessories for Permobil electric wheelchairs are subject to continuous development. Contact your nearest Permobil dealer for more information on the accessories available for your wheelchair.

## Technical specifications

The specifications given on the following pages apply only to the Permobil K/C300 chassis with a CS seat. For dimensions and weight specifications for each seat, see the user manual supplied with it.

### DATA

#### General

Name ..... Permobil K/C300

#### Size and weight

Length..... 42,5"  
 Width ..... 24,25"  
 Height..... 42,5"  
 Smallest Transport Size, lwxh ..... 34,5x24,25x30,5"  
 Weight incl. Batteries and CS-Seat..... 260 lbs  
 Max. Battery Size ..... 10,2x6,6x7"

#### Wheels

Tire Size, front..... 3,00 x 8  
 Tire Size, back..... 210x65  
 Max Air Pressure, front tires..... 29 psi (200 kPa)

#### Performance

Range..... 16 miles  
 Max Speed Forward..... 5 mph  
 Max Speed Backward ..... approx. 2,5 mph  
 Minimum Turning Radius ..... 25"  
 Ability to Negotiate Obstacles ..... 2,4"  
 Hill Climbing Capability, uphill ..... 10 degrees  
 Hill Climbing Capability, downhill ..... 10 degrees  
 Safe slope ..... 6 degrees  
 Sideways Slope Capability ..... 6 degrees

### ELECTRONICS SYSTEM

#### Electronics/Control panel

JSM/JSM-L/PM70/PM70-A2..... VR2  
 JSM-L-SV/PM90..... R-net

#### Batteries

Recommended battery type ..... Group 34, Gel  
 Battery capacity..... 60 Ah  
 Charging time ..... 8 hours

#### Fuses

Main fuse..... 50 A

#### Control force

Joystick..... 1.5 Nm  
 Keys..... 2.0 Nm

## VR2 electronics diagnostics

### Battery charge indicator

Each time the wheelchair is started, parts of the wheelchair's electronics are checked. If any fault has occurred in these parts, this is displayed on the control panel's battery charge indicator and the indicator for speed/driving profile in the form of one or more flashing lamps.

Troubleshooting and repairs must always be performed by competent personnel with good knowledge of the wheelchair's electronics. More information on troubleshooting and remedies can be found in the Service Manual for this wheelchair model.

### Permanently on

Everything is in order. The number of lamps that light up depends on the voltage remaining in the batteries. If the batteries are fully charged, all the lamps light up.

### Slowly flashing red lamps, 1 - 2

The batteries need to be charged immediately.

### Flashing fast, 1 - 10 lamps

A fault has been detected in the wheelchair's electronics and the wheelchair cannot be driven.

- Switch off the wheelchair.
- Check that all visible cables and the cable to the control panel are connected correctly.

Switch the wheelchair on again. If the fault persists, count the number of flashing lamps and check for a possible cause and remedy in the table on the adjoining page.

Do not use the wheelchair until the problem has been remedied or you have received other instructions from your service provider.

#### WARNING

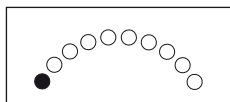
Diagnostics should only be performed by persons with sound knowledge of the wheelchair's electronic control system. Incorrect or poorly performed repairs may make it dangerous to use the wheelchair. Permobil accepts no liability for any personal injury or damage to the wheelchair and its surroundings that occurs on account of incorrect or poorly performed repair work.

#### CAUTION

Any error signals on the indicators are not displayed while the wheelchair is being driven. They appear when it is next started.

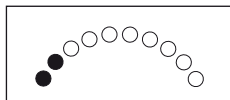
**ERROR SIGNAL**

**ERROR INDICATION - REMEDY**



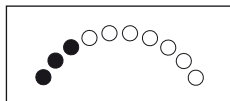
**1 Lamp - Low battery voltage**

Check the condition of the battery. Check the contact between the battery and the control unit.



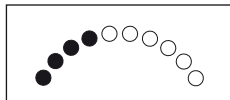
**2 Lamps - Failure in left drive motor**

Check the connection the left drive motor.



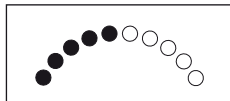
**3 Lamps - Short-circuit in left drive motor**

Check the drive motor's contacts and cables.



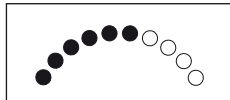
**4 Lamps - Failure in right drive motor**

Check the connection the right drive motor.



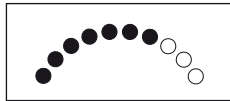
**5 Lamps - Short-circuit in right drive motor**

Check the drive motor's contacts and cables.



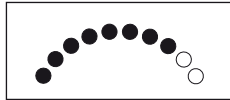
**6 Lamps - Battery charger connected**

Disconnect the battery charger.



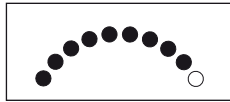
**7 Lamps - Joystick error**

Check that the joystick has not been moved when the wheelchair is started.



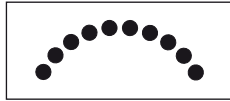
**8 Lamps - Control system error**

Check the contacts to the output stage.



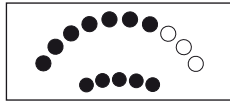
**9 Lamps - Failure in brake circuit**

Check the contacts to the magnetic brake.



**10 Lamps - High battery voltage**

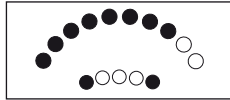
Check the battery and the contacts between the battery and the control unit.



**7+5 Lamps - Communication error**

A communication error has been indicated.

Check that the cable to the control panel is not damaged and is correctly inserted.



**8+2 Lamps - Actuator error**

An actuator error has been indicated.

If the wheelchair is fitted with more than one actuator, check which one is not working. Check the actuators' cable connections.

## R-net diagnostics

When an error or a fault occurs in the wheelchair's electronics, information about the fault is displayed in the control panel's display. This information can then be used to diagnose where the error/fault occurred and its cause.

Troubleshooting and repairs must always be performed by competent personnel with good knowledge of the wheelchair's electronics. More information on troubleshooting and remedies can be found in the Service Manual for this wheelchair model.

## Diagnostic screens

### Current diagnostic screen

When the control system's integrated protection circuits have been triggered so that the control system can no longer operate the wheelchair, a diagnostic screen is displayed in the control panel's display.

This indicates a system fault, i.e. R-net has detected a problem somewhere in the wheelchair's electrical system.

**NOTE!** *If the fault is in a module that is not currently being used, it may still be possible to drive the wheelchair, but the diagnostic screen is displayed occasionally.*

Switch off the wheelchair and leave it off for a few minutes. Then restart the wheelchair. If the fault persists, you must switch off the wheelchair and contact your service provider. Write down the information displayed in the control panel's display and pass it on to your service provider.

Do not use the wheelchair until the problem has been remedied or you have received other instructions from your service provider.

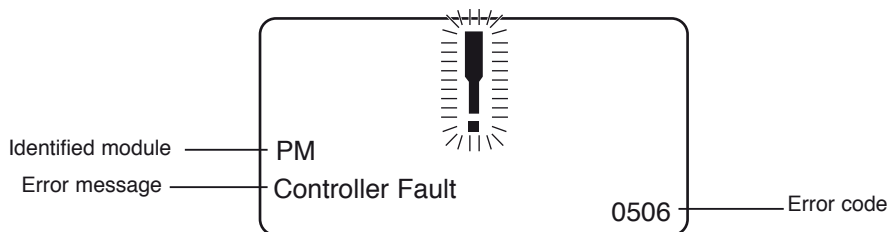


### WARNING

Diagnostics should only be performed by persons with sound knowledge of the wheelchair's electronic control system. Incorrect or poorly performed repairs may make it dangerous to use the wheelchair. Permobil accepts no liability for any personal injury or damage to the wheelchair and its surroundings that occurs on account of incorrect or poorly performed repair work.



## Example of a screen showing a system fault



### Identified module

This indicates the control system module that detected the problem.

**PM=** Power module

**JSM=** Joystick module

### Error message

The error message provides a brief description of the error type.

### Error code

The four-digit code indicates which protection circuit has been triggered.

## Repair of defective units

Apart from specific OEM-approved spare parts (contact your service provider or Permobil for further information on these), there are no replaceable parts in the R-net control system. Consequently, defective units must be sent to Permobil or a Permobil-approved service center for repair.

### CAUTION

If any part is replaced without Permobil's approval, the wheelchair's warranty may be void. Permobil accepts no liability for any loss that occurs as a result of a component of the R-net control system being opened, adjusted or modified without permission.

## Diagnostics R-Net LED

### Battery voltage indicator

Each time the wheelchair is started up, parts of the wheelchair's electronics are checked. If any fault has occurred in these parts, this is displayed on the control panel's battery voltage indicator and the indicator for speed/driving profile in the form of one or more flashing lamps.

Troubleshooting and repairs must always be performed by competent personnel with good knowledge of the wheelchair's electronics. More information on troubleshooting and remedies can be found in the Service Manual for this wheelchair model.

### Permanently on

All in order. The number of lamps that light up depends on the voltage remaining in the batteries. If the batteries are fully charged, all the lamps light up.

### Slowly flashing red lamps, 1 - 2

The batteries need recharging immediately.

### Rapid flashes, 1 - 10 lamps

A fault has been detected in the wheelchair's electronics and the wheelchair cannot be driven.

- Switch off the wheelchair.
- Check that all visible cables and the cable to the control panel are connected correctly.

Switch the wheelchair on again. If the fault persists, count the number of flashing lamps and check for a possible cause and remedy in the table on the adjoining page.

Do not use the wheelchair until the problem has been remedied or you have received other instructions from your service contact.

#### WARNING

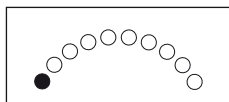
Diagnostics should only be performed by persons with sound knowledge of the wheelchair's electronic control system. Incorrect or poorly performed repair work may make it dangerous to use the wheelchair. Permobil accepts no liability for any personal injury or damage to the wheelchair and its surroundings that may occur on account of incorrect or poorly performed repair work.

#### CAUTION

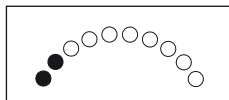
Any error signals on the indicators are not displayed while the wheelchair is being driven. They appear when it is next started.

**ERROR SIGNAL**

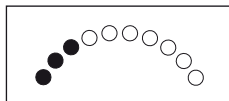
**ERROR INDICATION - REMEDY**



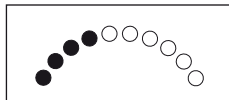
**1 Lamp - Low battery voltage**  
 Check the condition of the battery. Check the contact between the battery and the control unit.



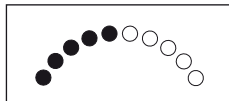
**2 Lamps - Failure in left-hand drive motor**  
 Check the connection to the left-hand drive motor.



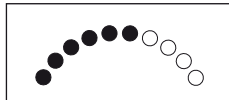
**3 Lamps - Short-circuit in left-hand drive motor**  
 Check the drive motor's contacts and cables.



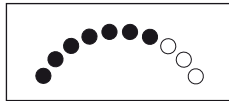
**4 Lamps - Failure in right-hand drive motor**  
 Check the connection to the right-hand drive motor.



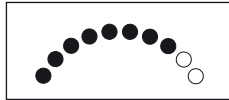
**5 Lamps - Short-circuit in right-hand drive motor**  
 Check the drive motor's contacts and cables.



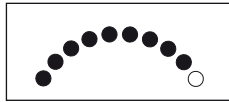
**6 Lamps - Battery charger connected**  
 Disconnect the battery charger.



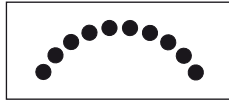
**7 Lamps - Joystick error**  
 Check that the joystick is not being moved when the wheelchair is started



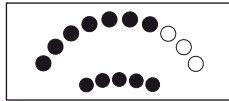
**8 Lamps - Control system error**  
 Check the contacts to the output stage.



**9 Lamps - Failure in brake circuit**  
 Check the contacts to the magnetic brake.



**10 Lamps - High battery voltage**  
 Check the battery and the contacts between the battery and the control unit.



**7+5 Lamps - Communication error**  
 Check that the cable to the control panel is correctly inserted and is not damaged.



**Actuator indicator - Actuator error**  
 If the wheelchair is fitted with more than one actuator, check which one is not working. Check the actuators' cable connections.

## Troubleshooting guide

The following troubleshooting guide describes a number of faults and events which may occur when you use your wheelchair, together with suggested remedies. Note that this guide cannot describe all the problems and events which may occur and you should always contact your service provider or Permobil in case of doubt.

EVENT	POSSIBLE CAUSE	REMEDY
The wheelchair cannot be started.	Batteries discharged.	Charge the batteries.
	The cable connection to the control panel has come loose.	Insert the cable in the control panel.
	<b>Main fuse triggered.</b>	<b>Contact service</b>
The wheelchair cannot be driven.	Battery charger connected.	Stop charging and disconnect the charging cable from the wheelchair's charging socket.
	Brake release activated.	Reset the brake release.
	The wheelchair is locked.	Unlock the wheelchair. See page 34 (VR2), Pages 64-65 (R-net).
The battery voltage indicator on the control panel is flashing fast and the wheelchair cannot be driven.	Electronics fault.	See page 94 (VR2) Page 96 (R-net). Or contact service.
The wheelchair stops while being driven.	The cable connection to the control panel has come loose.	Reconnect the cable between the control panel and the power module.
The wheelchair can only be driven at reduced speed.	Seat lift raised too high.	Lower the seat lift.
The wheelchair cannot be charged.	Main fuse blown.	Replace main fuse. See the service manual.
The wheelchair "switches itself off" after a certain period of inactivity.	The electronics' energy-saving mode has been activated.	Switch the wheelchair on again using the start key on the control panel.

**CAUTION! It is very important that you read this information regarding the possible effects of electromagnetic interference on your powered wheelchair.**

### **Electromagnetic Interference (EMI) From Radio Wave Sources**

Powered wheelchairs and motorized scooters (in this text, both will be referred to as powered wheelchairs) may be susceptible to electromagnetic interference (EMI), which is interfering electromagnetic energy (EM) emitted from sources such as radio stations, TV stations, amateur radio (HAM) transmitters, two-way radios, and cellular phones.

The interference (from radio wave sources) can cause the powered wheelchair to release its parking brakes, move by itself, or move in unintended directions. It can also permanently damage the powered wheelchair's control system. The intensity of the interfering EM energy can be measured in volts per meter (V/m). Each powered wheelchair can resist EMI up to a certain intensity. This is called its "immunity level". The higher the immunity level, the greater the protection.

The immunity level of this powered wheelchair model as shipped, with no further modification, is 20V/m in the range of 26 MHz to 1000 MHz.

There are a number of sources of relatively intense electromagnetic fields in the everyday environment. Some of these sources are obvious and easy to avoid. Others are not apparent and exposure is unavoidable. However, we believe that by following the warnings listed below, your risk to EMI will be minimized.

### **The sources of radiated EMI can be broadly classified into three types:**

- 1. HAND-HELD PORTABLE TRANSCEIVERS** (transmitters-receivers) with the antenna mounted directly on the transmitting unit. Examples include: citizens band (CB) radios, "walkie talkie", security, fire, and police transceivers, cellular telephones, and other personal communication devices.

**NOTE!** Some cellular telephones and similar devices transmit signals while they are ON, even when not being used.

- 2. MEDIUM-RANGE MOBILE TRANSCEIVERS** such as those used in police cars, fire-trucks, ambulances, and taxis. These usually have the antenna mounted on the outside of the vehicle.
- 3. LONG-RANGE TRANSMITTERS AND TRANSCEIVERS** such as commercial broadcast transmitter (radio and TV broadcast antenna tower) and amateur (HAM) radios.

**NOTE!** Other types of hand-held devices, such as cordless phones, laptop computers, AM/FM radios, TV sets, CD players, and cassette players, and small appliances, such as electric shavers and hair dryers, so far we know, are not likely to cause EMI problems to your powered wheelchair.

Because EM energy rapidly becomes more intense as one moves closer to the transmitting antenna (source), the EM fields from hand-held radio wave sources (transceivers) are of special concern. It is possible to unintentionally bring high levels of EM energy very close to the powered wheelchair's control system while using these devices. This can affect powered wheelchair movement and braking. Therefore, the warnings listed below are recommended to prevent possible interference with the control system of the powered wheelchair.

## **WARNINGS**

Electromagnetic interference (EMI) from sources such as radio and TV stations, amateur radio (HAM) transmitters, two-way radios, and cellular phones can affect powered wheelchairs and motorized scooters. Following the warnings listed below should reduced the chance of unintended wheel lock release or powered wheelchair movement which could result in serious injury.

- Do not operate hand-held transceivers (transmitters/receivers), such as citizens band (CB) radios, or turn ON personal communications devices, such as cellular phones, while the powered wheelchair is turned ON.
- Be aware of nearby transmitters, such as radio or TV stations, and try to avoid coming close to them.
- If unintended movement or wheel lock release occurs, turn the powered wheelchair OFF as soon as it is safe.
- Be aware that adding accessories or components, or modifying the powered wheelchair, may make it more susceptible to EMI.

**NOTE!** There is no easy way to evaluate their effect on the overall immunity of the powered wheelchair).

- Report all incidents of unintended movement or wheel lock release to the powered wheelchair manufacturer, and note whether there is a radio wave source near by.



US



Art. no: 205220-US-0